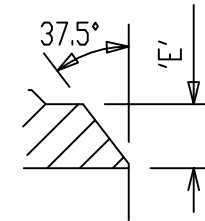
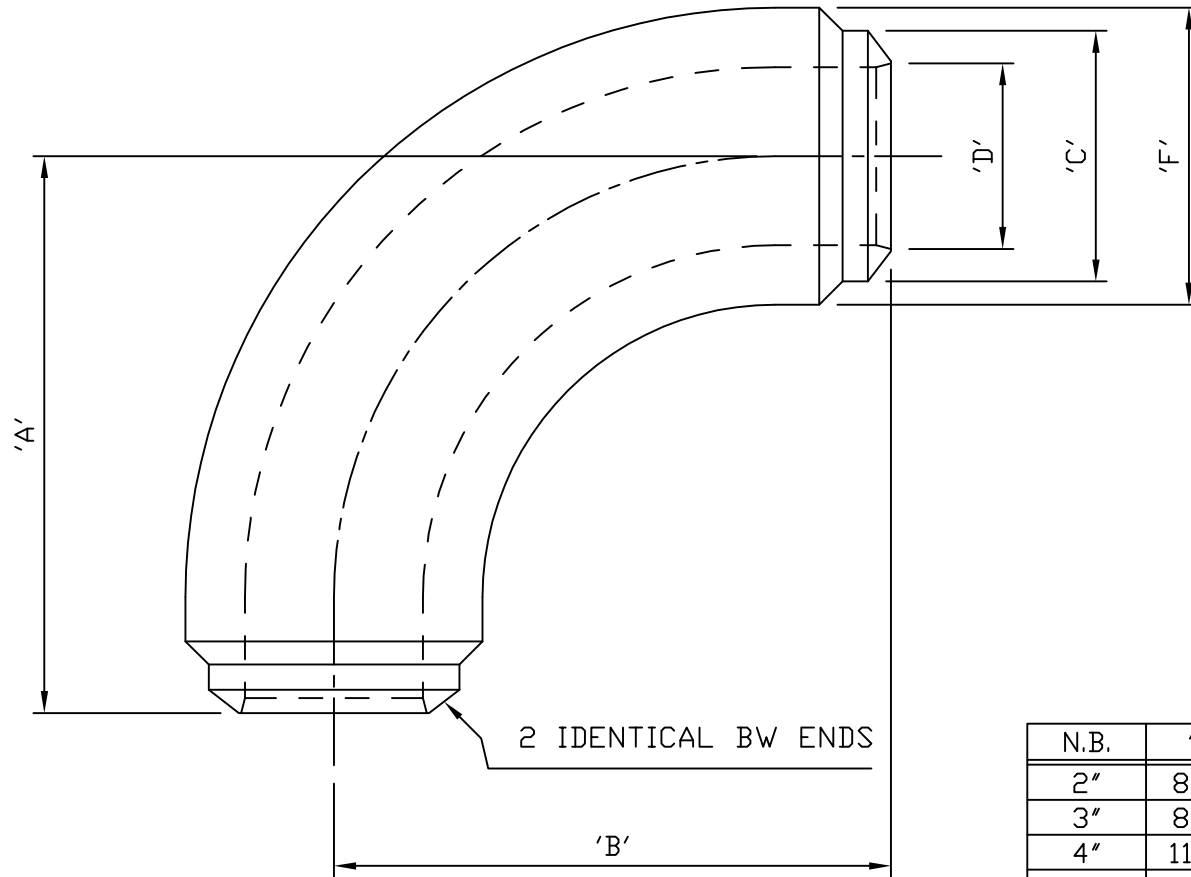


NOTES

SERVICE CLASS:	STANDARD / SOUR SERVICE
C.W.P.	7,500 / 10,000 PSI
TEST PRESSURE:	11,250 / 15,000 PSI
MATERIAL:	AISI 4130
WELD ENDS:	ANSI B16.25
BW TOLERANCES:	ANSI B16.9
MAT'L YIELD STRENGTH:	85,000 PSI
MAT'L TENSILE STRENGTH:	105,000 PSI



N.B.	'A'	'B'	'C'	'D'	'E'	'F'	WEIGHT
2"	8.00"	8.00"	2.37"	1.50"	0.435"	3.50"	14 Kg
3"	8.00"	8.00"	3.50"	2.30"	0.600"	4.50"	22 Kg
4"	11.00"	11.00"	4.50"	3.15"	0.675"	5.50"	42 Kg
5"	12.00"	12.00"	5.56"	4.06"	0.750"	6.60"	57 Kg
6"	15.00"	15.00"	6.63"	4.90"	0.865"	8.25"	94 Kg

REV	DESCRIPTION	DRN	CKD	APP	DATE	DRAWING SIZE
A	ISSUED FOR INFORMATION	CAM	CO	PMc	19-03-04	A4
						PROJECTION 3RD

TITLE							
LONG SWEEP 90° ELBOW BW SCH XXS							
DATE	DRAWN BY	CHECK BY	APPRO. BY	SCALE	JOB No.	STD DRAWING	SHT 1 OF 1
19-03-04	C.A.M.	C.O.	P.M.	NTS			
DRAWING No.						REVISION	
STD-0101						A	

CLIENT REF: N/A	CLIENT: N/A
ALL DIMENSIONS ARE IN mm UNLESS OTHERWISE STATED. This drawing and the information contained herein are submitted confidentially and are the property of TECHDRILL Ltd. Use, reproduction or disclosure of the content of this drawing or any portion thereof for any purpose must be approved in writing by TECHDRILL Ltd.	PROJECT: N/A

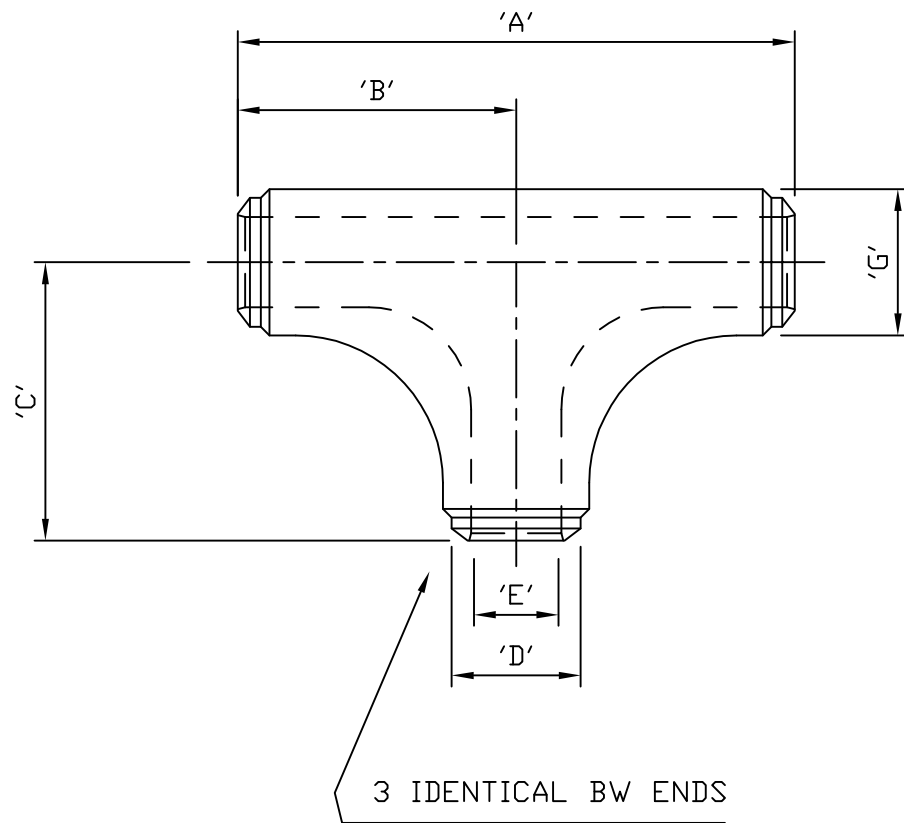
TechDrill LTD.
UNIT 15,
TELFORD COURT,
LOANSDEAN,
MORPETH,
NORTHUMBERLAND,
ENGLAND, NE61 2DB.
TEL:- +44 (0) 1670 50 50 22
FAX:- +44 (0) 1670 50 50 29

TechDrill

High Pressure Pipeline & API Drilling Equipment

NOTES

SERVICE CLASS: STANDARD / SOUR SERVICE
 C.W.P. 7,500 / 10,000 PSI
 TEST PRESSURE: 11,250 / 15,000 PSI
 MATERIAL: AISI 4130
 WELD ENDS: ANSI B16.25
 BW TOLERANCES: ANSI B16.9



N.B.	'A'	'B'	'C'	'D'	'E'	'F'	'G'	WEIGHT
2"	16.00"	8.00"	8.00"	2.37"	1.50"	0.435"	4.50"	44 Kg
3"	16.00"	8.00"	8.00"	3.50"	2.30"	0.600"	4.50"	38 Kg
4"	22.00"	11.00"	11.00"	4.50"	3.15"	0.675"	5.50"	63 Kg
5"	24.00"	12.00"	12.00"	5.56"	4.06"	0.750"	6.60"	88 Kg
6"	30.00"	15.00"	15.00"	6.63"	4.90"	0.865"	7.75"	170 Kg

REV	DESCRIPTION	DRN	CKD	APP	DATE	DRAWING SIZE	TITLE						
A	ISSUED FOR INFORMATION	CAM	CO	PMc	19-03-04	A4	LONG SWEEP FULL FLOW TEE BW SCH XXS						
						PROJECTION 3RD	DATE	DRAWN BY	CHECK BY	APPRO. BY	SCALE	JOB No. STD DRAWING	SHT 1 OF 1
							19-03-04	C.A.M.	C.O.	P.M.	NTS	DRAWING No. STD-0103	REVISION A

CLIENT REF: N/A

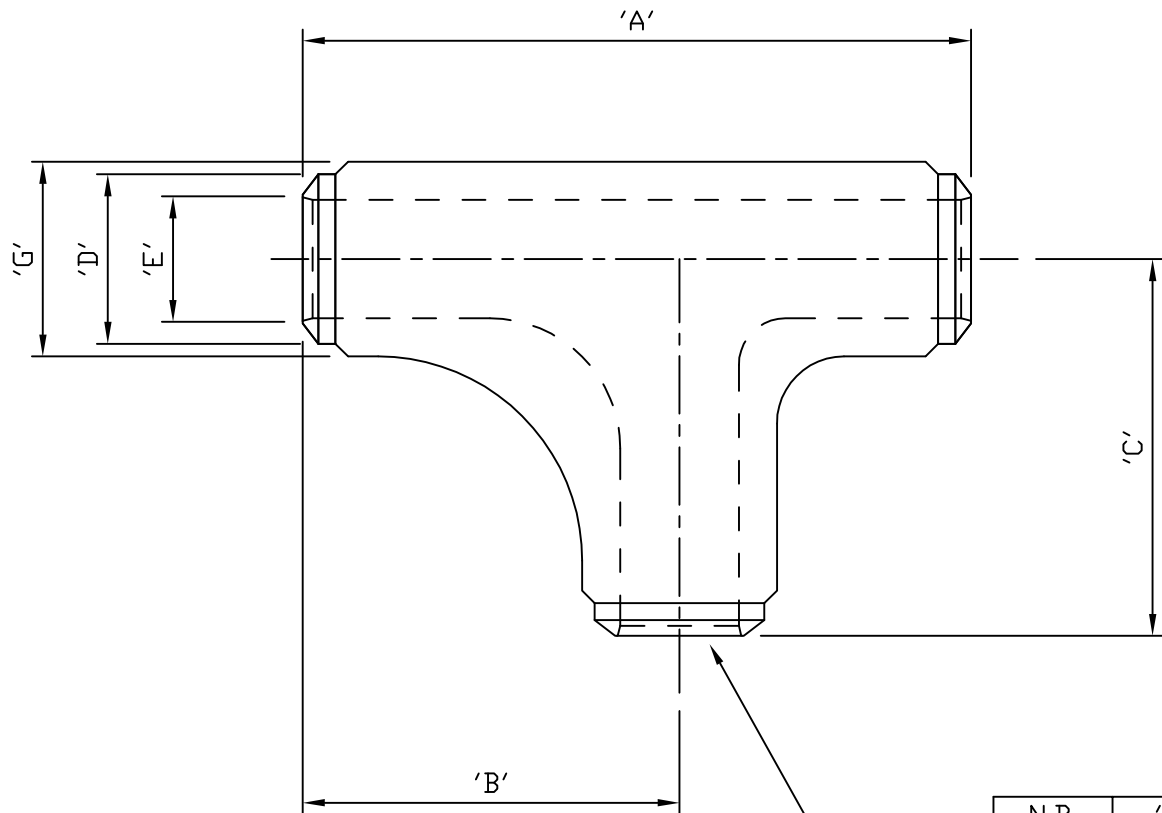
CLIENT: N/A

ALL DIMENSIONS ARE IN mm UNLESS OTHERWISE STATED.
 This drawing and the information contained herein are submitted confidentially and are the property of TECHDRILL Ltd.
 Use, reproduction or disclosure of the content of this drawing or any portion thereof for any purpose must be approved in writing by TECHDRILL Ltd.

PROJECT: N/A

TechDrill LTD.
 UNIT 15,
 TELFORD COURT,
 LOANSDEAN,
 MORPETH,
 NORTHUMBERLAND,
 ENGLAND, NE61 2DB.
 TEL:- +44 (0) 1670 50 50 22
 FAX:- +44 (0) 1670 50 50 29

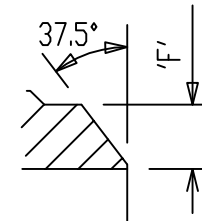
TechDrill
 High Pressure Pipeline & API Drilling Equipment



3 IDENTICAL BW ENDS

NOTES

SERVICE CLASS: STANDARD / SOUR SERVICE
 C.W.P. 7,500 / 10,000 PSI
 TEST PRESSURE: 11,250 / 15,000 PSI
 MATERIAL: AISI 4130
 WELD ENDS: ANSI B16.25
 BW TOLERANCES: ANSI B16.9
 MAT'L YIELD STRENGTH: 85,000 PSI
 MAT'L TENSILE STRENGTH: 105,000 PSI



N.B.	'A'	'B'	'C'	'D'	'E'	'F'	'G'	WEIGHT
2"	13.00"	8.00"	8.00"	2.37"	1.50"	0.435"	4.50"	36 Kg
3"	13.00"	8.00"	8.00"	3.50"	2.30"	0.600"	4.50"	31 Kg
4"	16.00"	11.00"	11.00"	4.50"	3.15"	0.675"	5.50"	52 Kg
5"	19.00"	12.00"	12.00"	5.56"	4.06"	0.750"	6.60"	75 Kg
6"	27.00"	15.00"	15.00"	6.63"	4.90"	0.865"	7.75"	140 Kg

REV	DESCRIPTION	DRN	CKD	APP	DATE	DRAWING SIZE	TITLE							
A	ISSUED FOR INFORMATION	CAM	CO	PMc	19-03-04	A4	LONG SWEEP TEE BW SCH XXS							
						PROJECTION 3RD	DATE	DRAWN BY	CHECK BY	APPRO. BY	SCALE	JOB No.	STD DRAWING	SHT 1 OF 1
							19-03-04	C.A.M.	C.O.	P.M.	NTS	DRAWING No.	STD-0104	REVISION
														A

CLIENT REF: N/A

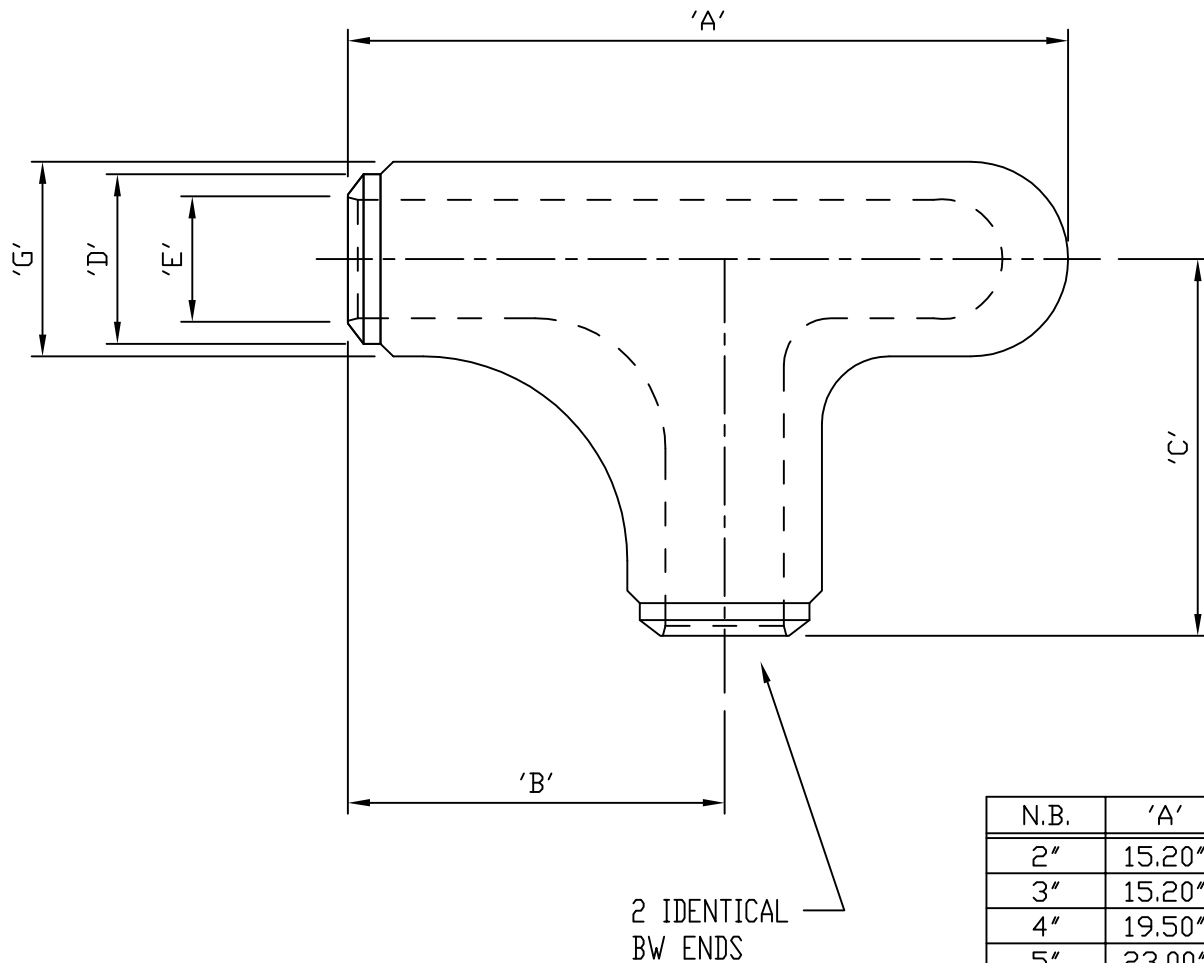
CLIENT: N/A

PROJECT: N/A

TechDrill LTD.
 UNIT 15,
 TELFORD COURT,
 LOANSDEAN,
 MORPETH,
 NORTHUMBERLAND,
 ENGLAND, NE61 2DB.
 TEL:- +44 (0) 1670 50 50 22
 FAX:- +44 (0) 1670 50 50 29

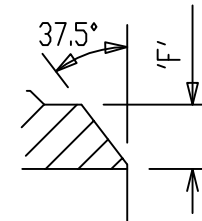
TechDrill
 High Pressure Pipeline & API Drilling Equipment

ALL DIMENSIONS ARE IN mm UNLESS OTHERWISE STATED.
 This drawing and the information contained herein are submitted confidentially and are the property of TECHDRILL Ltd.
 Use, reproduction or disclosure of the content of this drawing or any portion thereof for any purpose must be approved in writing by TECHDRILL Ltd.



NOTES

SERVICE CLASS: STANDARD / SOUR SERVICE
 C.W.P. 7,500 / 10,000 PSI
 TEST PRESSURE: 11,250 / 15,000 PSI
 MATERIAL: AISI 4130
 WELD ENDS: ANSI B16.25
 BW TOLERANCES: ANSI B16.9
 MAT'L YIELD STRENGTH: 85,000 PSI
 MAT'L TENSILE STRENGTH: 105,000 PSI



N.B.	'A'	'B'	'C'	'D'	'E'	'F'	'G'	WEIGHT
2"	15.20"	8.00"	8.00"	2.37"	1.50"	0.435"	4.50"	40 Kg
3"	15.20"	8.00"	8.00"	3.50"	2.30"	0.600"	4.50"	34 Kg
4"	19.50"	11.00"	11.00"	4.50"	3.15"	0.675"	5.50"	59 Kg
5"	23.00"	12.00"	12.00"	5.56"	4.06"	0.750"	6.60"	86 Kg
6"	31.70"	15.00"	15.00"	6.63"	4.90"	0.865"	7.75"	160 Kg

REV	DESCRIPTION	DRN	CKD	APP	DATE	DRAWING SIZE	TITLE							
A	ISSUED FOR INFORMATION	CAM	CO	PMc	19-03-04	A4	LONG SWEEP TEE C/W BULL PLUG BW SCH XXS							
						PROJECTION 3RD	DATE	DRAWN BY	CHECK BY	APPRO. BY	SCALE	JOB No.	STD DRAWING	SHT 1 OF 1
							19-03-04	C.A.M.	C.O.	P.M.	NTS	DRAWING No.	STD-0105	REVISION A

CLIENT REF: N/A

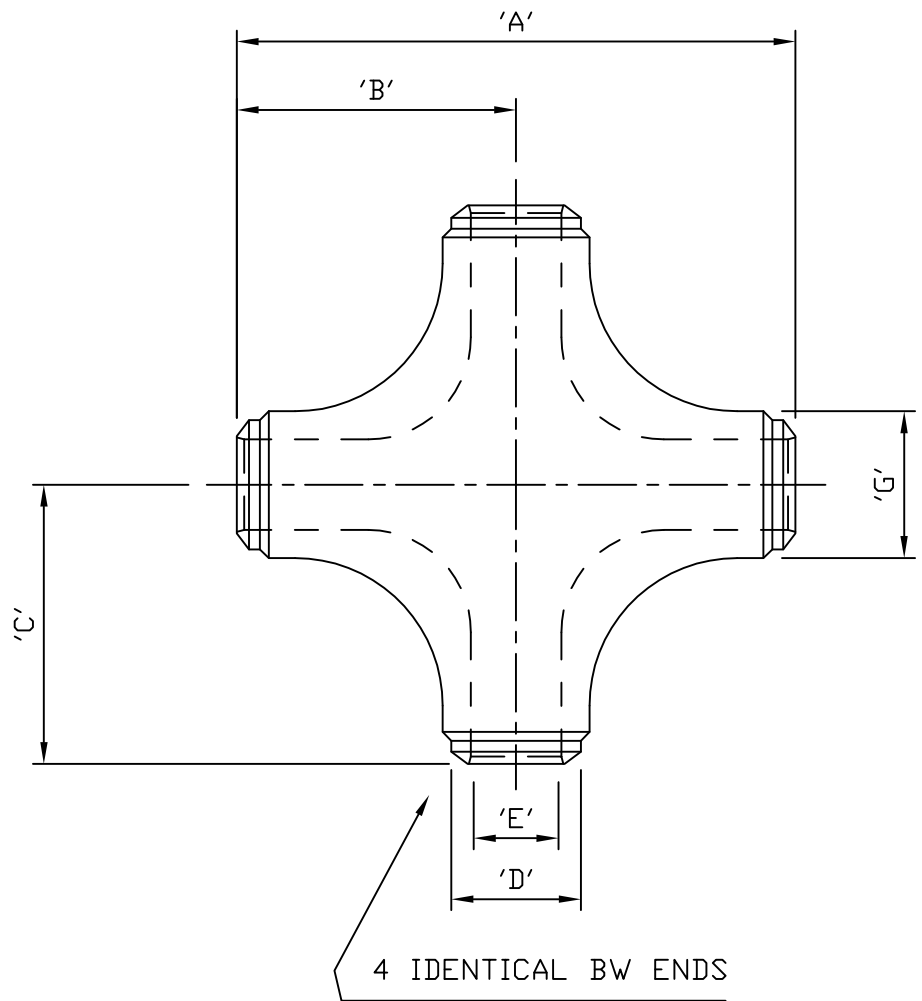
CLIENT: N/A

ALL DIMENSIONS ARE IN mm UNLESS OTHERWISE STATED.
 This drawing and the information contained herein are submitted confidentially and are the property of TECHDRILL Ltd.
 Use, reproduction or disclosure of the content of this drawing or any portion thereof for any purpose must be approved in writing by TECHDRILL Ltd.

PROJECT: N/A

TechDrill LTD.
 UNIT 15,
 TELFORD COURT,
 LOANSDEAN,
 MORPETH,
 NORTHUMBERLAND,
 ENGLAND, NE61 2DB.
 TEL:- +44 (0) 1670 50 50 22
 FAX:- +44 (0) 1670 50 50 29

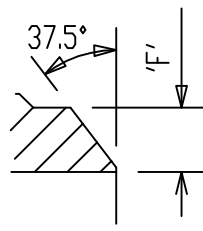
TechDrill
 High Pressure Pipeline & API Drilling Equipment



4 IDENTICAL BW ENDS

NOTES

SERVICE CLASS: STANDARD / SOUR SERVICE
 C.W.P. 7,500 / 10,000 PSI
 TEST PRESSURE: 11,250 / 15,000 PSI
 MATERIAL: AISI 4130
 WELD ENDS: ANSI B16.25
 BW TOLERANCES: ANSI B16.9
 MAT'L YIELD STRENGTH: 85,000 PSI
 MAT'L TENSILE STRENGTH: 105,000 PSI



N.B.	'A'	'B'	'C'	'D'	'E'	'F'	'G'	WEIGHT
2"	16.00"	8.00"	8.00"	2.37"	1.50"	0.435"	4.50"	59 Kg
3"	16.00"	8.00"	8.00"	3.50"	2.30"	0.600"	4.50"	60 Kg
4"	22.00"	11.00"	11.00"	4.50"	3.15"	0.675"	5.50"	81 Kg
5"	24.00"	12.00"	12.00"	5.56"	4.06"	0.750"	6.60"	111 Kg
6"	30.00"	15.00"	15.00"	6.63"	4.90"	0.865"	7.75"	243 Kg

REV	DESCRIPTION	DRN	CKD	APP	DATE	DRAWING SIZE	TITLE
A	ISSUED FOR INFORMATION	CAM	CO	PMc	19-03-04	A4	LONG SWEEP FULL FLOW CROSS BW SCH XXS
						PROJECTION 3RD	DATE DRAWN BY CHECK BY APPRO. BY SCALE JOB No. STD DRAWING SHT 1 OF 1
							17-03-04 C.A.M. C.O. P.M. NTS DRAWING No. STD-0106 REVISION A

CLIENT REF: N/A

ALL DIMENSIONS ARE IN mm UNLESS OTHERWISE STATED.
 This drawing and the information contained herein are submitted confidentially and are the property of TECHDRILL Ltd.
 Use, reproduction or disclosure of the content of this drawing or any portion thereof for any purpose must be approved in writing by TECHDRILL Ltd.

CLIENT: N/A

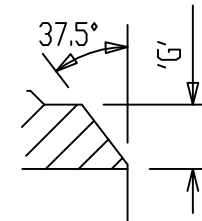
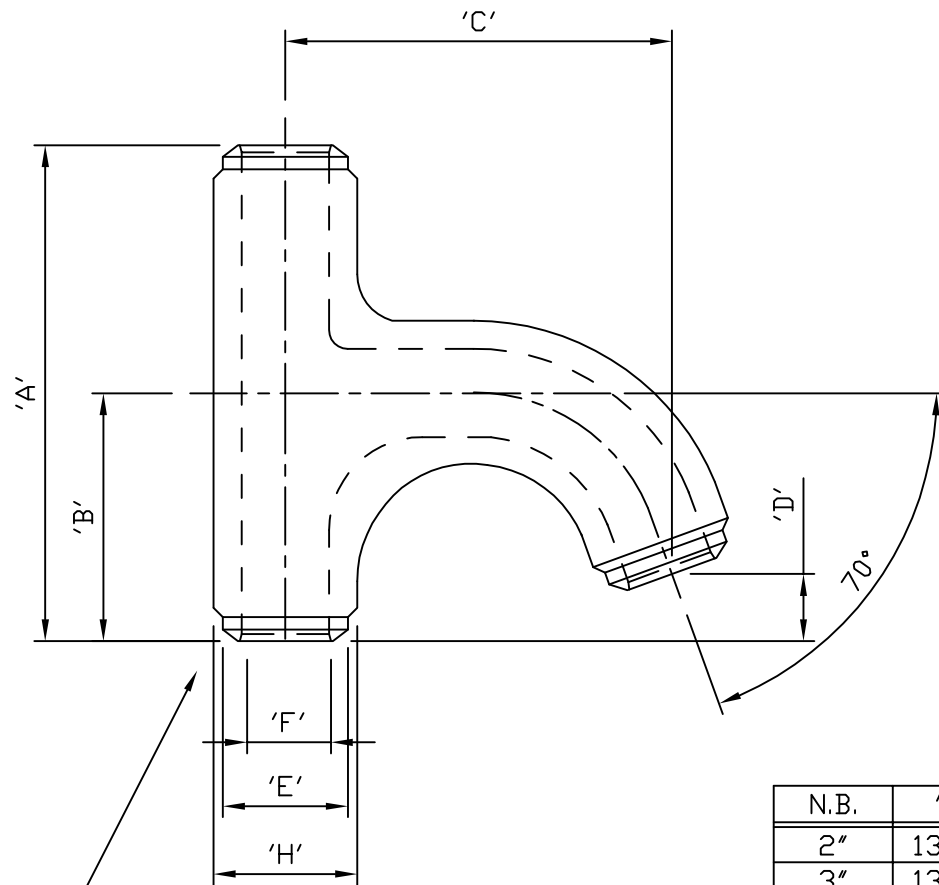
PROJECT: N/A

TechDrill LTD.
 UNIT 15,
 TELFORD COURT,
 LOANSDEAN,
 MORPETH,
 NORTHUMBERLAND,
 ENGLAND, NE61 2DB.
 TEL:- +44 (0) 1670 50 50 22
 FAX:- +44 (0) 1670 50 50 29

TechDrill
 High Pressure Pipeline & API Drilling Equipment

NOTES

SERVICE CLASS: STANDARD / SOUR SERVICE
 C.W.P. 7,500 / 10,000 PSI
 TEST PRESSURE: 11,250 / 15,000 PSI
 MATERIAL: AISI 4130
 WELD ENDS: ANSI B16.25
 BW TOLERANCES: ANSI B16.9
 MAT'L YIELD STRENGTH: 85,000 PSI
 MAT'L TENSILE STRENGTH: 105,000 PSI



3 IDENTICAL
BW ENDS

N.B.	'A'	'B'	'C'	'D'	'E'	'F'	'G'	'H'	WEIGHT
2"	13.00"	8.00"	-	-	2.37"	1.50"	0.435"	3.50"	48 Kg
3"	13.00"	8.00"	12.00"	2.28"	3.50"	2.30"	0.600"	4.50"	48 Kg
4"	16.00"	11.00"	14.00"	3.70"	4.50"	3.15"	0.675"	5.50"	89 Kg
5"	19.00"	12.00"	16.00"	3.40"	5.56"	4.06"	0.750"	6.60"	126 Kg
6"	27.00"	15.00"	24.00"	-	6.63"	4.90"	0.865"	7.75"	231 Kg

REV	DESCRIPTION	DRN	CKD	APP	DATE	DRAWING SIZE	TITLE							
A	ISSUED FOR APPROVAL	CAM	CO	PMc	19-03-04	A4	GOOSENECK 160° C/W TOP OUTLET BW SCH XXS							
B	DIMENSIONS 'A' ALTERED	DA	CAM	MF	07/11/06									
						PROJECTION 3RD	DATE	DRAWN BY	CHECK BY	APPRO. BY	SCALE	JOB No.	STD DRAWING	SHT 1 OF 1
							19-03-04	C.A.M.	C.O.	P.M.	NTS	DRAWING No.	STD-0107	REVISION
														B

CLIENT REF: N/A

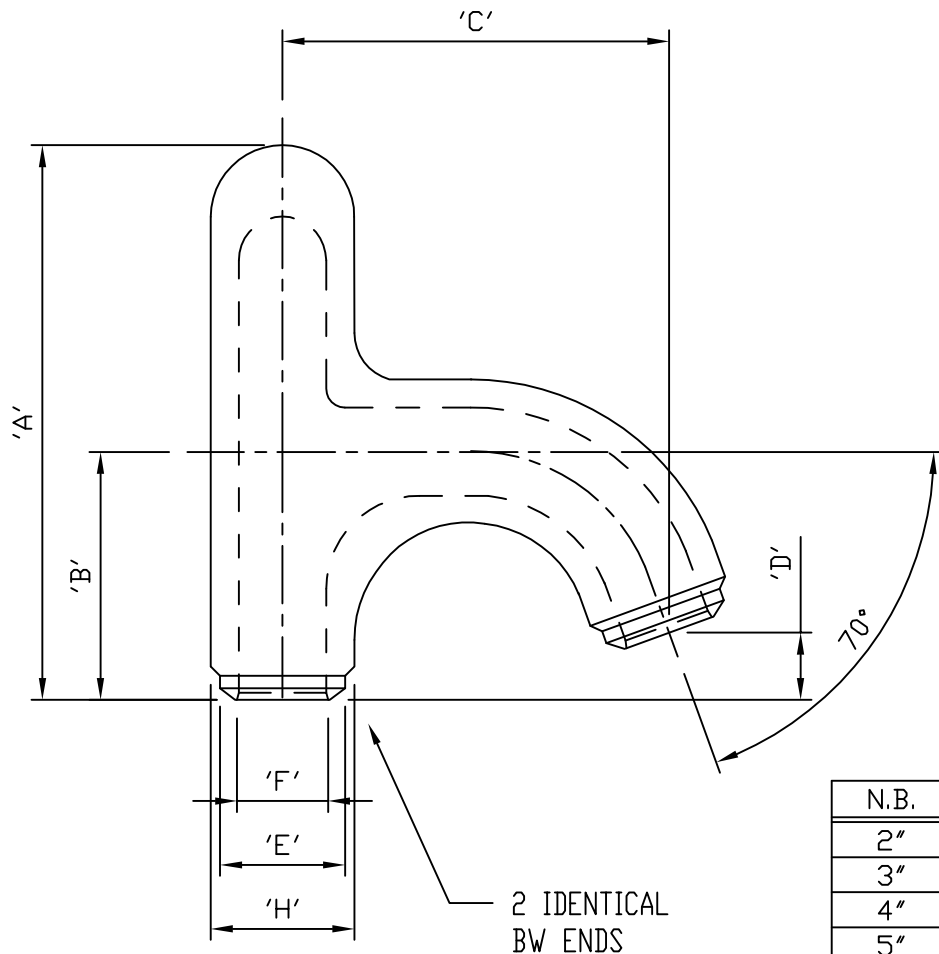
CLIENT: N/A

PROJECT: N/A

TechDrill LTD.
 UNIT 15,
 TELFORD COURT,
 LOANSEAN,
 MORPETH,
 NORTHUMBERLAND,
 ENGLAND, NE61 2DB.
 TEL:- +44 (0) 1670 50 50 22
 FAX:- +44 (0) 1670 50 50 29

TechDrill
 High Pressure Pipeline & API Drilling Equipment

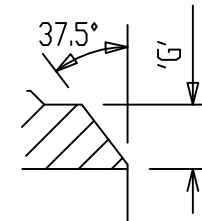
ALL DIMENSIONS ARE IN mm UNLESS OTHERWISE STATED.
 This drawing and the information contained herein are submitted confidentially and are the property of TECHDRILL Ltd.
 Use, reproduction or disclosure of the content of this drawing or any portion thereof for any purpose must be approved in writing by TECHDRILL Ltd.



2 IDENTICAL
BW ENDS

NOTES

SERVICE CLASS: STANDARD / SOUR SERVICE
 C.W.P. 7,500 / 10,000 PSI
 TEST PRESSURE: 11,250 / 15,000 PSI
 MATERIAL: AISI 4130
 WELD ENDS: ANSI B16.25
 BW TOLERANCES: ANSI B16.9
 MAT'L YIELD STRENGTH: 85,000 PSI
 MAT'L TENSILE STRENGTH: 105,000 PSI



N.B.	'A'	'B'	'C'	'D'	'E'	'F'	'G'	'H'	WEIGHT
2"	15.20"	8.00"	-	-	2.37"	1.50"	0.435"	3.50"	52 Kg
3"	15.20"	8.00"	12.00"	2.28"	3.50"	2.30"	0.600"	4.50"	52 Kg
4"	19.50"	11.00"	14.00"	3.70"	4.50"	3.15"	0.675"	5.50"	96 Kg
5"	23.00"	12.00"	16.00"	3.40"	5.56"	4.06"	0.750"	6.60"	137 Kg
6"	31.70"	15.00"	24.00"	-	6.63"	4.90"	0.865"	7.75"	246 Kg

REV	DESCRIPTION	DRN	CKD	APP	DATE	DRAWING SIZE	TITLE							
A	ISSUED FOR APPROVAL	CAM	CO	PMc	19-03-04	A4	GOOSENECK 160° C/W INTEGRAL BULL PLUG BW SCH XXS							
						PROJECTION 3RD	DATE	DRAWN BY	CHECK BY	APPRO. BY	SCALE	JOB No.	STD DRAWING	SHT 1 OF 1
							19-03-04	C.A.M.	C.O.	P.M.	NTS	DRAWING No.	STD-0108	REVISION A

CLIENT REF: N/A

CLIENT: N/A

PROJECT: N/A

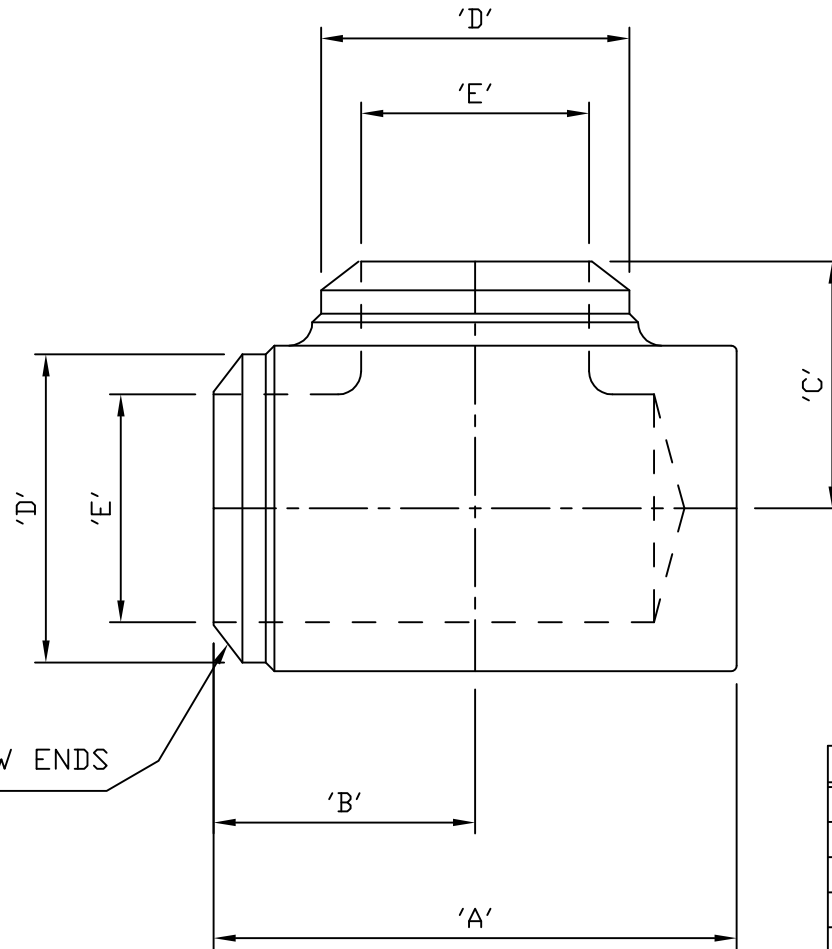
TechDrill LTD.
 UNIT 15,
 TELFORD COURT,
 LOANSEAN,
 MORPETH,
 NORTHUMBERLAND,
 ENGLAND, NE61 2DB.
 TEL:- +44 (0) 1670 50 50 22
 FAX:- +44 (0) 1670 50 50 29

TechDrill
 High Pressure Pipeline & API Drilling Equipment

ALL DIMENSIONS ARE IN mm UNLESS OTHERWISE STATED.
 This drawing and the information contained herein are submitted confidentially and are the property of TECHDRILL Ltd.
 Use, reproduction or disclosure of the content of this drawing or any portion thereof for any purpose must be approved in writing by TECHDRILL Ltd.

NOTES

SERVICE CLASS: STANDARD / SOUR SERVICE
 C.W.P. 7,500 / 10,000 PSI
 TEST PRESSURE: 11,250 / 15,000 PSI
 MATERIAL: AISI 4130
 WELD ENDS: ANSI B16.25
 BW TOLERANCES: ANSI B16.9
 MAT'L YIELD STRENGTH: 85,000 PSI
 MAT'L TENSILE STRENGTH: 105,000 PSI



2 IDENTICAL BW ENDS

N.B.	'A'	'B'	'C'	'D'	'E'	'F'	WEIGHT
2"	5.04"	2.52"	2.52"	2.37"	1.50"	0.435"	4 Kg
3"	6.78"	3.39"	3.39"	3.50"	2.30"	0.600"	9 Kg
4"	8.24"	4.12"	4.12"	4.50"	3.15"	0.675"	16 Kg
5"	9.76"	4.88"	4.88"	5.56"	4.06"	0.750"	25 Kg
6"	11.26"	5.63"	5.63"	6.63"	4.90"	0.865"	38 Kg

REV	DESCRIPTION	DRN	CKD	APP	DATE	DRAWING SIZE	TITLE							
A	ISSUED FOR INFORMATION	CAM	CO	PMc	19-03-04	A4	BLOCK TYPE 90° CUSHION TEE BW SCH XXS							
						PROJECTION 3RD	DATE	DRAWN BY	CHECK BY	APPRO. BY	SCALE	JOB No.	STD DRAWING	SHT 1 OF 1
							19-03-04	C.A.M.	C.O.	P.M.	NTS	DRAWING No.	STD-0109	REVISION A

CLIENT REF: N/A

CLIENT: N/A

ALL DIMENSIONS ARE IN mm UNLESS OTHERWISE STATED.
 This drawing and the information contained herein are submitted confidentially and are the property of TECHDRILL Ltd.
 Use, reproduction or disclosure of the content of this drawing or any portion thereof for any purpose must be approved in writing by TECHDRILL Ltd.

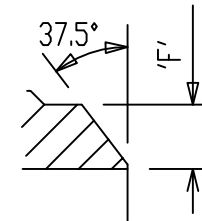
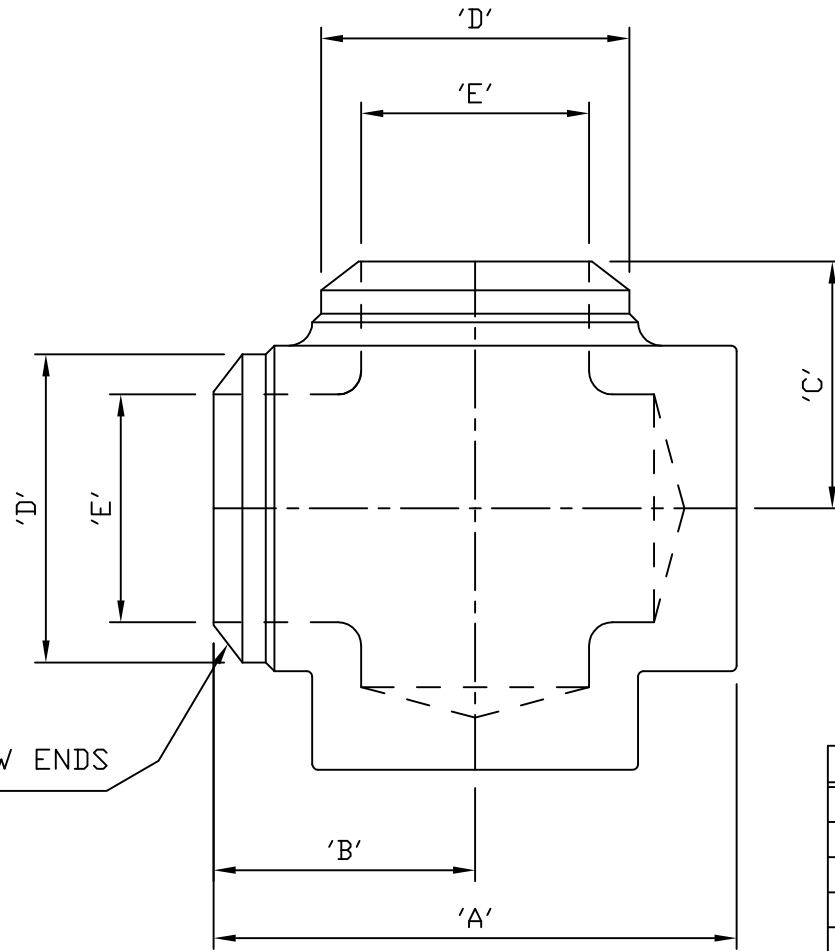
PROJECT: N/A

TechDrill LTD.
 UNIT 15,
 TELFORD COURT,
 LOANSDEAN,
 MORPETH,
 NORTHUMBERLAND,
 ENGLAND, NE61 2DB.
 TEL:- +44 (0) 1670 50 50 22
 FAX:- +44 (0) 1670 50 50 29

TechDrill
 High Pressure Pipeline & API Drilling Equipment

NOTES

SERVICE CLASS: STANDARD / SOUR SERVICE
 C.W.P. 7,500 / 10,000 PSI
 TEST PRESSURE: 11,250 / 15,000 PSI
 MATERIAL: AISI 4130
 WELD ENDS: ANSI B16.25
 BW TOLERANCES: ANSI B16.9
 MAT'L YIELD STRENGTH: 85,000 PSI
 MAT'L TENSILE STRENGTH: 105,000 PSI



N.B.	'A'	'B'	'C'	'D'	'E'	'F'	WEIGHT
2"	5.04"	2.52"	2.52"	2.37"	1.50"	0.435"	6 Kg
3"	6.78"	3.39"	3.39"	3.50"	2.30"	0.600"	12 Kg
4"	8.24"	4.12"	4.12"	4.50"	3.15"	0.675"	21 Kg
5"	9.76"	4.88"	4.88"	5.56"	4.06"	0.750"	33 Kg
6"	11.26"	5.63"	5.63"	6.63"	4.90"	0.865"	50 Kg

REV	DESCRIPTION	DRN	CKD	APP	DATE	DRAWING SIZE	TITLE							
A	ISSUED FOR INFORMATION	CAM	CO	PMc	19-03-04	A4	BLOCK TYPE 90° CUSHION CROSS BW SCH XXS							
						PROJECTION 3RD	DATE	DRAWN BY	CHECK BY	APPRO. BY	SCALE	JOB No.	STD DRAWING	SHT 1 OF 1
							19-03-04	C.A.M.	C.O.	P.M.	NTS	DRAWING No.	STD-0110	REVISION
														A

CLIENT REF: N/A

CLIENT: N/A

PROJECT: N/A

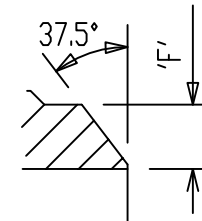
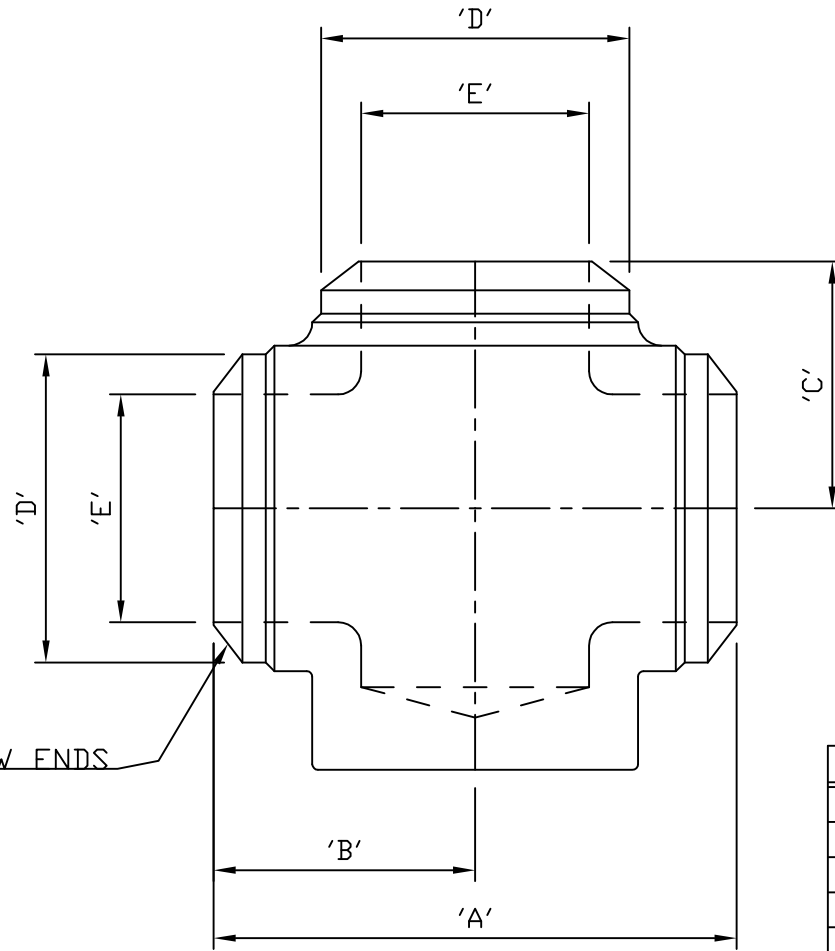
TechDrill LTD.
 UNIT 15,
 TELFORD COURT,
 LOANSDEAN,
 MORPETH,
 NORTHUMBERLAND,
 ENGLAND, NE61 2DB.
 TEL:- +44 (0) 1670 50 50 22
 FAX:- +44 (0) 1670 50 50 29

TechDrill
 High Pressure Pipeline & API Drilling Equipment

ALL DIMENSIONS ARE IN mm UNLESS OTHERWISE STATED.
 This drawing and the information contained herein are submitted confidentially and are the property of TECHDRILL Ltd.
 Use, reproduction or disclosure of the content of this drawing or any portion thereof for any purpose must be approved in writing by TECHDRILL Ltd.

NOTES

SERVICE CLASS: STANDARD / SOUR SERVICE
 C.W.P. 7,500 / 10,000 PSI
 TEST PRESSURE: 11,250 / 15,000 PSI
 MATERIAL: AISI 4130
 WELD ENDS: ANSI B16.25
 BW TOLERANCES: ANSI B16.9
 MAT'L YIELD STRENGTH: 85,000 PSI
 MAT'L TENSILE STRENGTH: 105,000 PSI



3 IDENTICAL BW ENDS

N.B.	'A'	'B'	'C'	'D'	'E'	'F'	WEIGHT
2"	5.04"	2.52"	2.52"	2.37"	1.50"	0.435"	5 Kg
3"	6.78"	3.39"	3.39"	3.50"	2.30"	0.600"	10 Kg
4"	8.24"	4.12"	4.12"	4.50"	3.15"	0.675"	17 Kg
5"	9.76"	4.88"	4.88"	5.56"	4.06"	0.750"	28 Kg
6"	11.26"	5.63"	5.63"	6.63"	4.90"	0.865"	43 Kg

REV	DESCRIPTION	DRN	CKD	APP	DATE	DRAWING SIZE	TITLE
A	ISSUED FOR INFORMATION	CAM	CO	PMc	19-03-04	A4	BLOCK TYPE CUSHION CROSS BW SCH XXS
						PROJECTION 3RD	DATE DRAWN BY CHECK BY APPRO. BY SCALE JOB No. STD DRAWING SHT 1 OF 1
							19-03-04 C.A.M. C.O. P.M. NTS DRAWING No. REVISION
							STD-0111 A

CLIENT REF: N/A

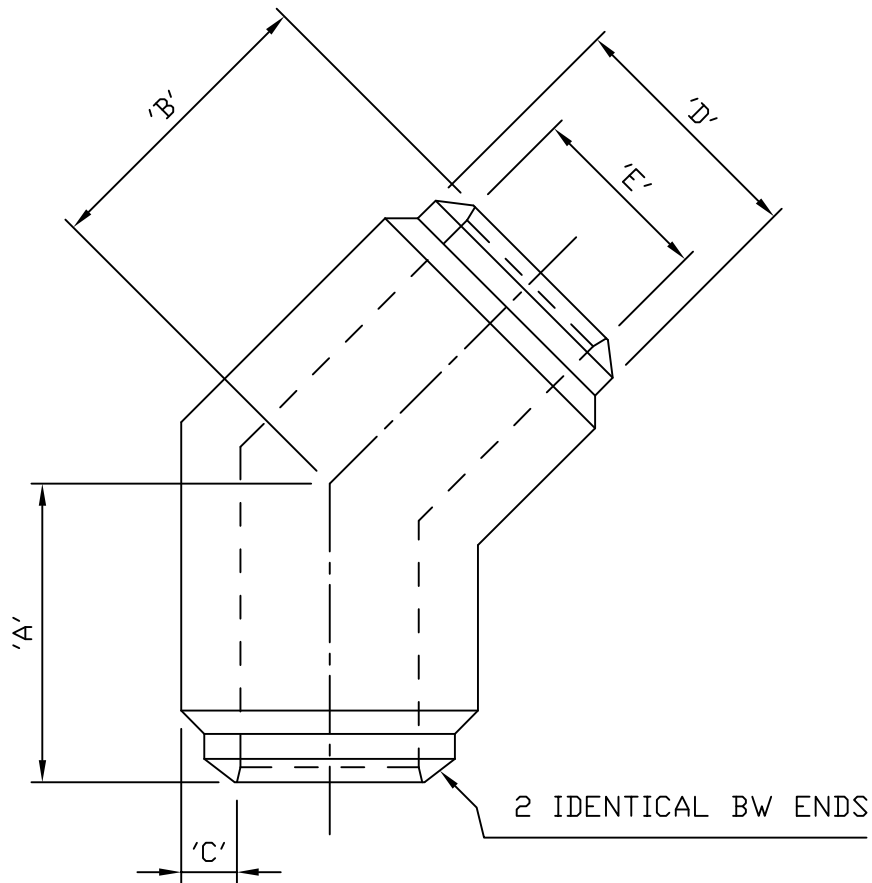
CLIENT: N/A

ALL DIMENSIONS ARE IN mm UNLESS OTHERWISE STATED.
 This drawing and the information contained herein are submitted confidentially and are the property of TECHDRILL Ltd.
 Use, reproduction or disclosure of the content of this drawing or any portion thereof for any purpose must be approved in writing by TECHDRILL Ltd.

PROJECT: N/A

TechDrill LTD.
 UNIT 15,
 TELFORD COURT,
 LOANSDEAN,
 MORPETH,
 NORTHUMBERLAND,
 ENGLAND, NE61 2DB.
 TEL:- +44 (0) 1670 50 50 22
 FAX:- +44 (0) 1670 50 50 29

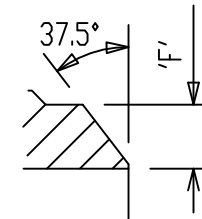
TechDrill
 High Pressure Pipeline & API Drilling Equipment



2 IDENTICAL BW ENDS

NOTES

SERVICE CLASS: STANDARD / SOUR SERVICE
 C.W.P. 7,500 / 10,000 PSI
 TEST PRESSURE: 11,250 / 15,000 PSI
 MATERIAL: AISI 4130
 WELD ENDS: ANSI B16.25
 BW TOLERANCES: ANSI B16.9
 MAT'L YIELD STRENGTH: 85,000 PSI
 MAT'L TENSILE STRENGTH: 105,000 PSI

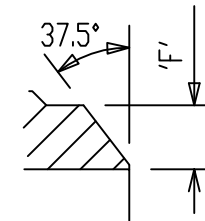
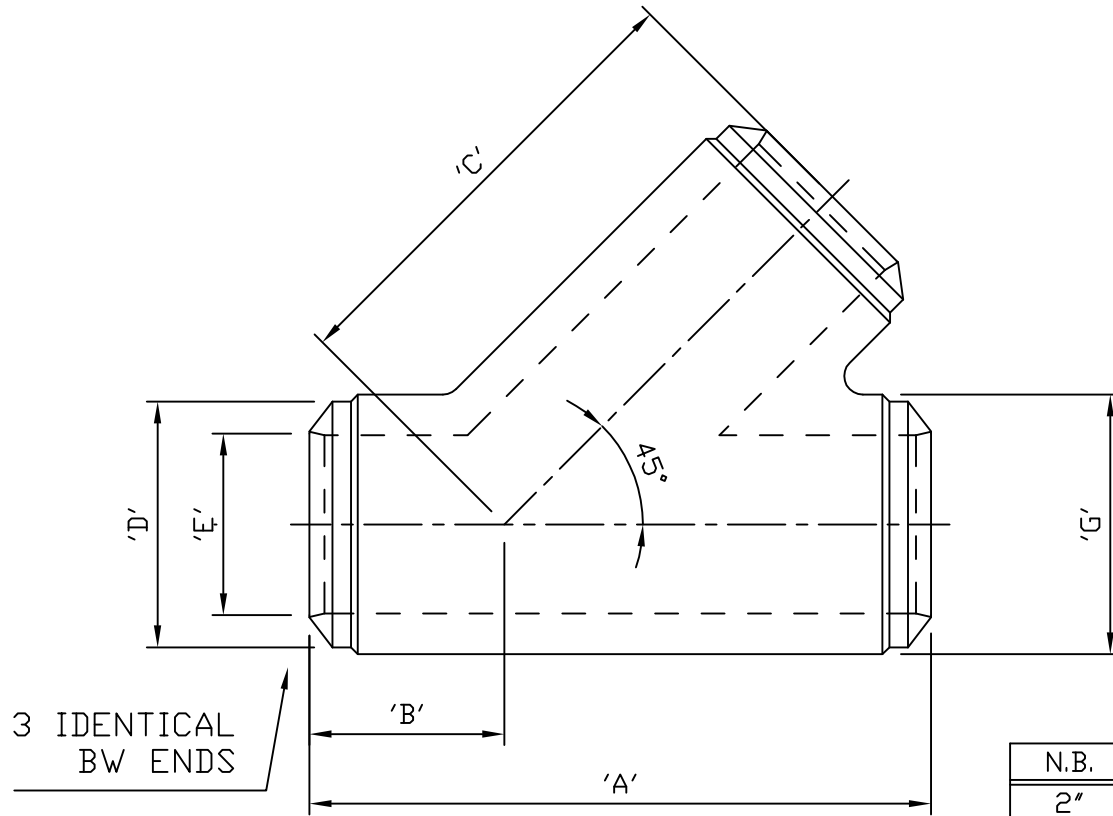


N.B.	'A'	'B'	'C'	'D'	'E'	'F'	WEIGHT
2"	1.38"	1.38"	1.25"	2.37"	1.50"	0.435"	6 Kg
3"	2.00"	2.00"	1.25"	3.50"	2.30"	0.600"	9 Kg
4"	2.52"	2.52"	1.25"	4.50"	3.15"	0.675"	14 Kg
5"	3.11"	3.11"	1.50"	5.56"	4.06"	0.750"	23 Kg
6"	3.74"	3.74"	1.50"	6.63"	4.90"	0.865"	35 Kg

REV	DESCRIPTION	DRN	CKD	APP	DATE	DRAWING SIZE	TITLE						
A	ISSUED FOR INFORMATION	CAM	CO	PMc	19-03-04	A4	BLOCK TYPE 45° ELBOW BW SCH XXS						
						PROJECTION 3RD	DATE	DRAWN BY	CHECK BY	APPRO. BY	SCALE	JOB No. STD DRAWING	SHT 1 OF 1
							19-03-04	C.A.M.	C.O.	P.M.	NTS	DRAWING No. STD-0112	REVISION A
CLIENT REF: N/A		CLIENT: N/A				PROJECT: N/A		TechDrill LTD. UNIT 15, TELFORD COURT, LOANSDEAN, MORPETH, NORTHUMBERLAND, ENGLAND, NE61 2DB. TEL:- +44 (0) 1670 50 50 22 FAX:- +44 (0) 1670 50 50 29					
ALL DIMENSIONS ARE IN mm UNLESS OTHERWISE STATED. This drawing and the information contained herein are submitted confidentially and are the property of TECHDRILL Ltd. Use, reproduction or disclosure of the content of this drawing or any portion thereof for any purpose must be approved in writing by TECHDRILL Ltd.								<h1>TechDrill</h1> <p>High Pressure Pipeline & API Drilling Equipment</p>					

NOTES

SERVICE CLASS: STANDARD / SOUR SERVICE
 C.W.P. 7,500 / 10,000 PSI
 TEST PRESSURE: 11,250 / 15,000 PSI
 MATERIAL: AISI 4130
 WELD ENDS: ANSI B16.25
 BW TOLERANCES: ANSI B16.9
 MAT'L YIELD STRENGTH: 85,000 PSI
 MAT'L TENSILE STRENGTH: 105,000 PSI



N.B.	'A'	'B'	'C'	'D'	'E'	'F'	'G'	WEIGHT
2"	6.75"	2.38"	4.38"	2.37"	1.50"	0.435"	2.620"	6 Kg
3"	10.50"	4.00"	10.50"	3.50"	2.30"	0.600"	3.750"	9 Kg
4"	13.00"	4.50"	8.50"	4.50"	3.15"	0.675"	4.875"	14 Kg
5"	15.75"	4.75"	11.00"	5.56"	4.06"	0.750"	5.935"	23 Kg
6"	17.75"	5.25"	12.50"	6.63"	4.90"	0.865"	7.130"	35 Kg

REV	DESCRIPTION	DRN	CKD	APP	DATE	DRAWING SIZE	TITLE						
A	ISSUED FOR INFORMATION	CAM	CO	PMc	19-03-04	A4	BLOCK TYPE 45° LATERAL ELBOW BW SCH XXS						
						PROJECTION 3RD	DATE	DRAWN BY	CHECK BY	APPRO. BY	SCALE	JOB No. STD DRAWING	SHT 1 OF 1
							19-03-04	C.A.M.	C.O.	P.M.	NTS	DRAWING No. STD-0113	REVISION A

CLIENT REF: N/A

ALL DIMENSIONS ARE IN mm UNLESS OTHERWISE STATED.
 This drawing and the information contained herein are submitted confidentially and are the property of TECHDRILL Ltd.
 Use, reproduction or disclosure of the content of this drawing or any portion thereof for any purpose must be approved in writing by TECHDRILL Ltd.

CLIENT: N/A

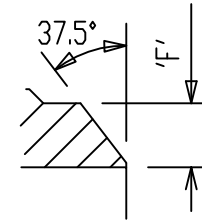
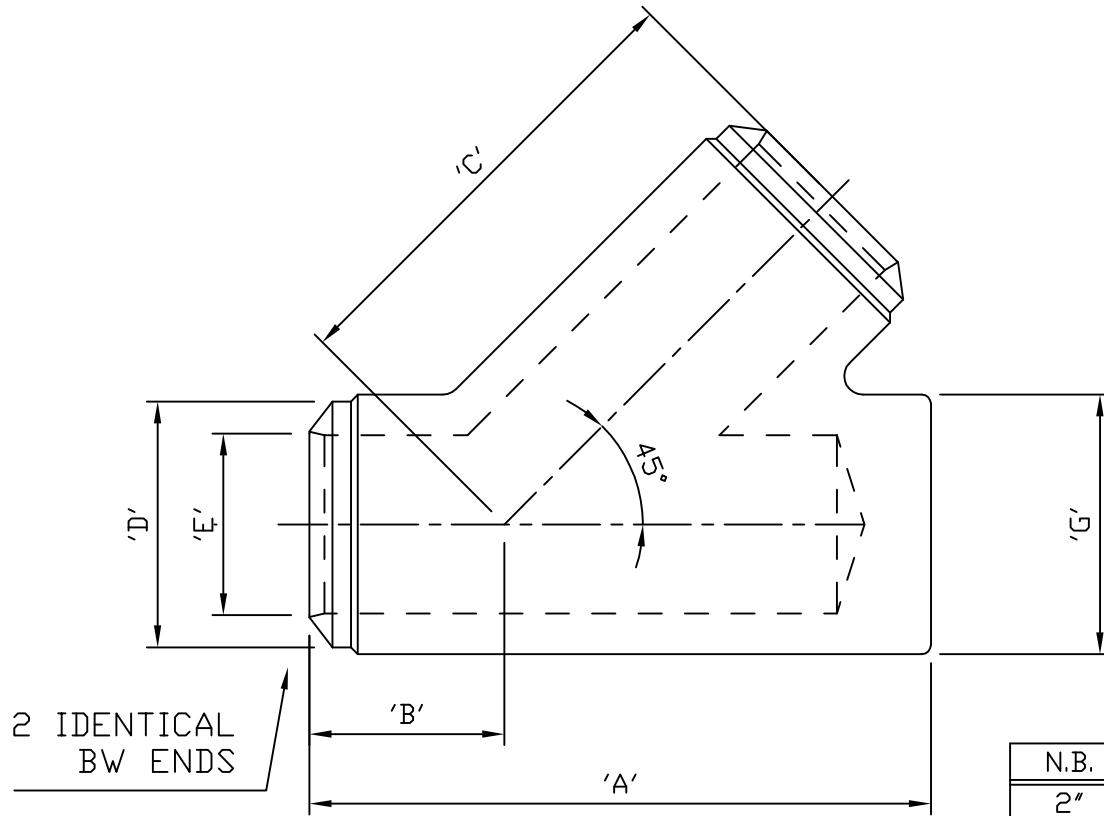
PROJECT: N/A

TechDrill LTD.
 UNIT 15,
 TELFORD COURT,
 LOANSDEAN,
 MORPETH,
 NORTHUMBERLAND,
 ENGLAND, NE61 2DB.
 TEL:- +44 (0) 1670 50 50 22
 FAX:- +44 (0) 1670 50 50 29

TechDrill
 High Pressure Pipeline & API Drilling Equipment

NOTES

SERVICE CLASS: STANDARD / SOUR SERVICE
 C.W.P. 7,500 / 10,000 PSI
 TEST PRESSURE: 11,250 / 15,000 PSI
 MATERIAL: AISI 4130
 WELD ENDS: ANSI B16.25
 BW TOLERANCES: ANSI B16.9
 MAT'L YIELD STRENGTH: 85,000 PSI
 MAT'L TENSILE STRENGTH: 105,000 PSI



N.B.	'A'	'B'	'C'	'D'	'E'	'F'	'G'	WEIGHT
2"	6.75"	2.38"	4.38"	2.37"	1.50"	0.435"	2.620"	6 Kg
3"	10.50"	4.00"	10.50"	3.50"	2.30"	0.600"	3.750"	9 Kg
4"	12.00"	4.50"	8.50"	4.50"	3.15"	0.675"	4.875"	14 Kg
5"	14.00"	4.75"	11.00"	5.56"	4.06"	0.750"	5.935"	23 Kg
6"	16.00"	5.25"	12.50"	6.63"	4.90"	0.865"	7.130"	35 Kg

REV	DESCRIPTION	DRN	CKD	APP	DATE	DRAWING SIZE	TITLE
A	ISSUED FOR INFORMATION	CAM	CO	PMc	19-03-04	A4	BLOCK TYPE 45° LATERAL CUSHION ELBOW BW SCH XXS
						PROJECTION 3RD	DATE DRAWN BY CHECK BY APPRO. BY SCALE JOB No. STD DRAWING SHT 1 OF 1
							19-03-04 C.A.M. C.O. P.M. NTS DRAWING No. STD-0114 REVISION A

CLIENT REF: N/A

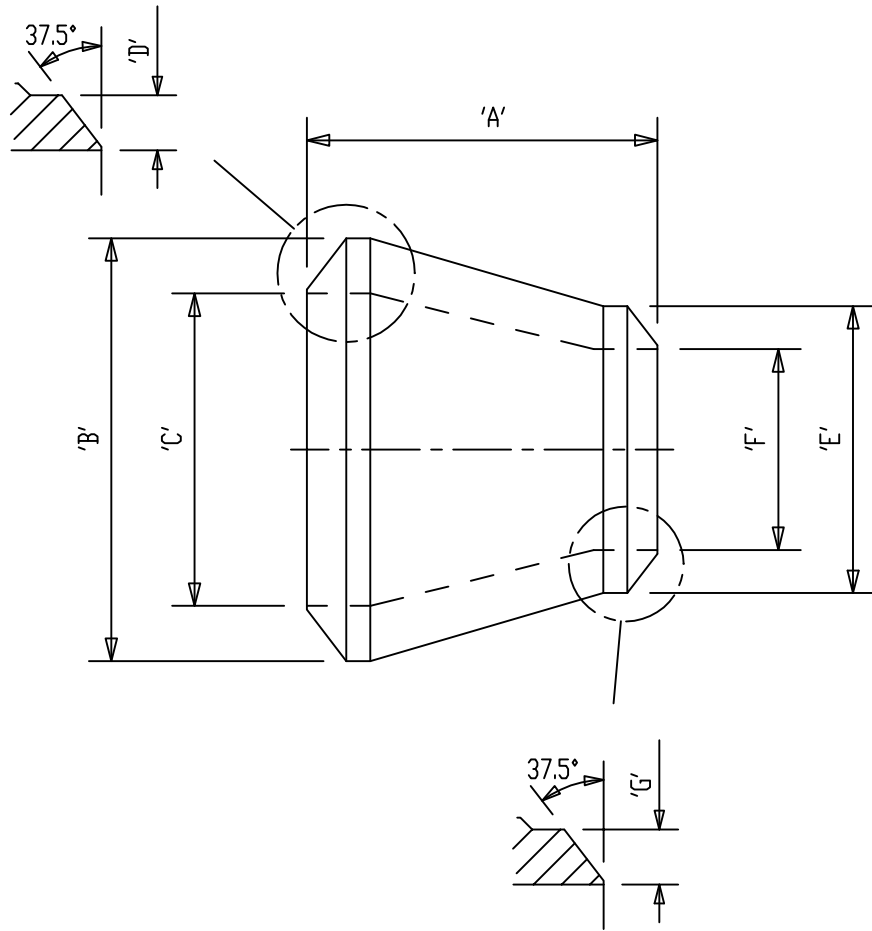
ALL DIMENSIONS ARE IN mm UNLESS OTHERWISE STATED.
 This drawing and the information contained herein are submitted confidentially and are the property of TECHDRILL Ltd.
 Use, reproduction or disclosure of the content of this drawing or any portion thereof for any purpose must be approved in writing by TECHDRILL Ltd.

CLIENT: N/A

PROJECT: N/A

TechDrill LTD.
 UNIT 15,
 TELFORD COURT,
 LOANSDEAN,
 MORPETH,
 NORTHUMBERLAND,
 ENGLAND, NE61 2DB.
 TEL:- +44 (0) 1670 50 50 22
 FAX:- +44 (0) 1670 50 50 29

TechDrill
 High Pressure Pipeline & API Drilling Equipment



NOTES

SERVICE CLASS: STANDARD / SOUR SERVICE
 C.W.P. 7,500 / 10,000 PSI
 TEST PRESSURE: 11,250 / 15,000 PSI
 MATERIAL: AISI 4130
 WELD ENDS: ANSI B16.25
 BW TOLERANCES: ANSI B16.9
 MAT'L YIELD STRENGTH: 85,000 PSI
 MAT'L TENSILE STRENGTH: 105,000 PSI

N.B.	'A'	'B'	'C'	'D'	'E'	'F'	'G'	WEIGHT
6" x 5"	5.50"	6.63"	4.90"	0.865"	5.56"	4.06"	0.750"	11 Kg
6" x 4"	5.50"	6.63"	4.90"	0.865"	4.50"	3.15"	0.675"	11 Kg
6" x 3"	5.50"	6.63"	4.90"	0.865"	3.50"	2.30"	0.600"	11 Kg
5" x 4"	5.00"	5.56"	4.06"	0.750"	4.50"	3.15"	0.675"	7.5 Kg
5" x 3"	5.00"	5.56"	4.06"	0.750"	3.50"	2.30"	0.600"	7.5 Kg
5" x 2"	5.00"	5.56"	4.06"	0.750"	2.37"	1.50"	0.435"	7.5 Kg
4" x 3"	4.00"	4.50"	3.15"	0.675"	3.50"	2.30"	0.600"	4.5 Kg
4" x 2"	4.00"	4.50"	3.15"	0.675"	2.37"	1.50"	0.435"	4.5 Kg
3" x 2"	3.50"	3.50"	2.30"	0.600"	2.37"	1.50"	0.435"	2.5 Kg

REV	DESCRIPTION	DRN	CKD	APP	DATE	DRAWING SIZE	TITLE							
A	ISSUED FOR INFORMATION	CAM	CO	PMc	19-03-04	A4	CONCENTRIC REDUCER BW SCH XXS							
						PROJECTION 3RD	DATE	DRAWN BY	CHECK BY	APPRO. BY	SCALE	JOB No.	STD DRAWING	SHT 1 OF 1
							19-03-04	C.A.M.	C.O.	P.M.	NTS	DRAWING No.	STD-0115	REVISION
														A

CLIENT REF: N/A

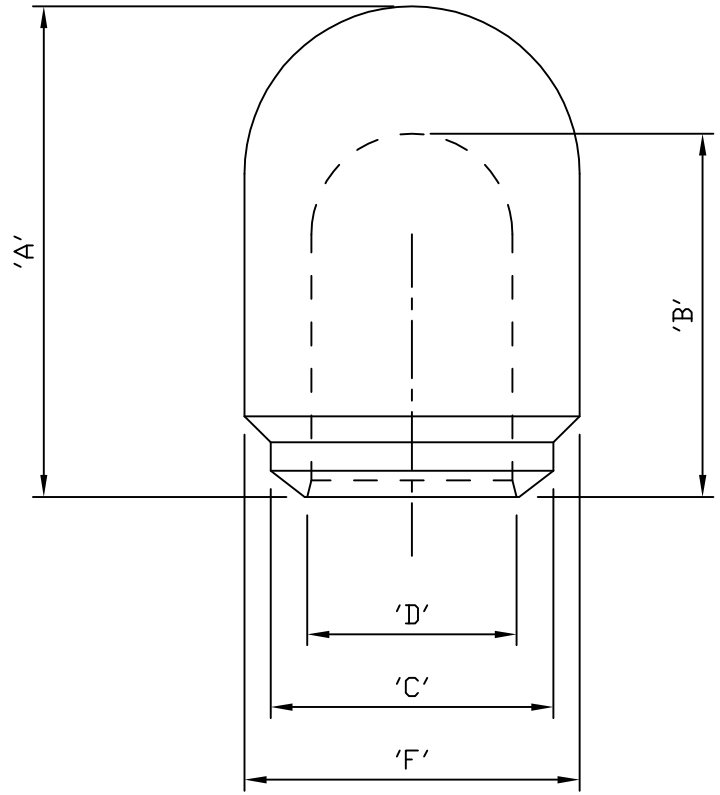
ALL DIMENSIONS ARE IN mm UNLESS OTHERWISE STATED.
 This drawing and the information contained herein are submitted confidentially and are the property of TECHDRILL Ltd.
 Use, reproduction or disclosure of the content of this drawing or any portion thereof for any purpose must be approved in writing by TECHDRILL Ltd.

CLIENT: N/A

PROJECT: N/A

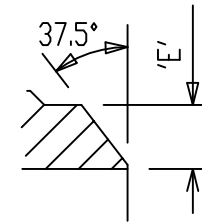
TechDrill LTD.
 UNIT 15,
 TELFORD COURT,
 LOANSDEAN,
 MORPETH,
 NORTHUMBERLAND,
 ENGLAND, NE61 2DB.
 TEL:- +44 (0) 1670 50 50 22
 FAX:- +44 (0) 1670 50 50 29

TechDrill
 High Pressure Pipeline & API Drilling Equipment



NOTES

SERVICE CLASS: STANDARD / SOUR SERVICE
 C.W.P. 7,500 / 10,000 PSI
 TEST PRESSURE: 11,250 / 15,000 PSI
 MATERIAL: AISI 4130
 WELD ENDS: ANSI B16.25
 BW TOLERANCES: ANSI B16.9
 MAT'L YIELD STRENGTH: 85,000 PSI
 MAT'L TENSILE STRENGTH: 105,000 PSI



N.B.	'A'	'B'	'C'	'D'	'E'	'F'	WEIGHT
2"	2.75"	1.90"	2.37"	1.50"	0.435"	2.620"	1 Kg
3"	3.55"	2.36"	3.50"	2.30"	0.600"	3.750"	3 Kg
4"	4.53"	3.19"	4.50"	3.15"	0.675"	4.875"	6 Kg
5"	5.50"	4.00"	5.56"	4.06"	0.750"	5.935"	10 Kg
6"	6.70"	4.95"	6.63"	4.90"	0.865"	7.130"	18 Kg

REV	DESCRIPTION	DRN	CKD	APP	DATE	DRAWING SIZE
A	ISSUED FOR INFORMATION	CAM	CO	PMc	19-03-04	A4
						PROJECTION 3RD

TITLE
 BULL PLUG
 BW SCH XXS

DATE	DRAWN BY	CHECK BY	APPRO. BY	SCALE	JOB No.	STD DRAWING	SHT 1 OF 1
19-03-04	C.A.M.	C.O.	P.M.	NTS	DRAWING No.	STD-0116	REVISION A

CLIENT REF: N/A

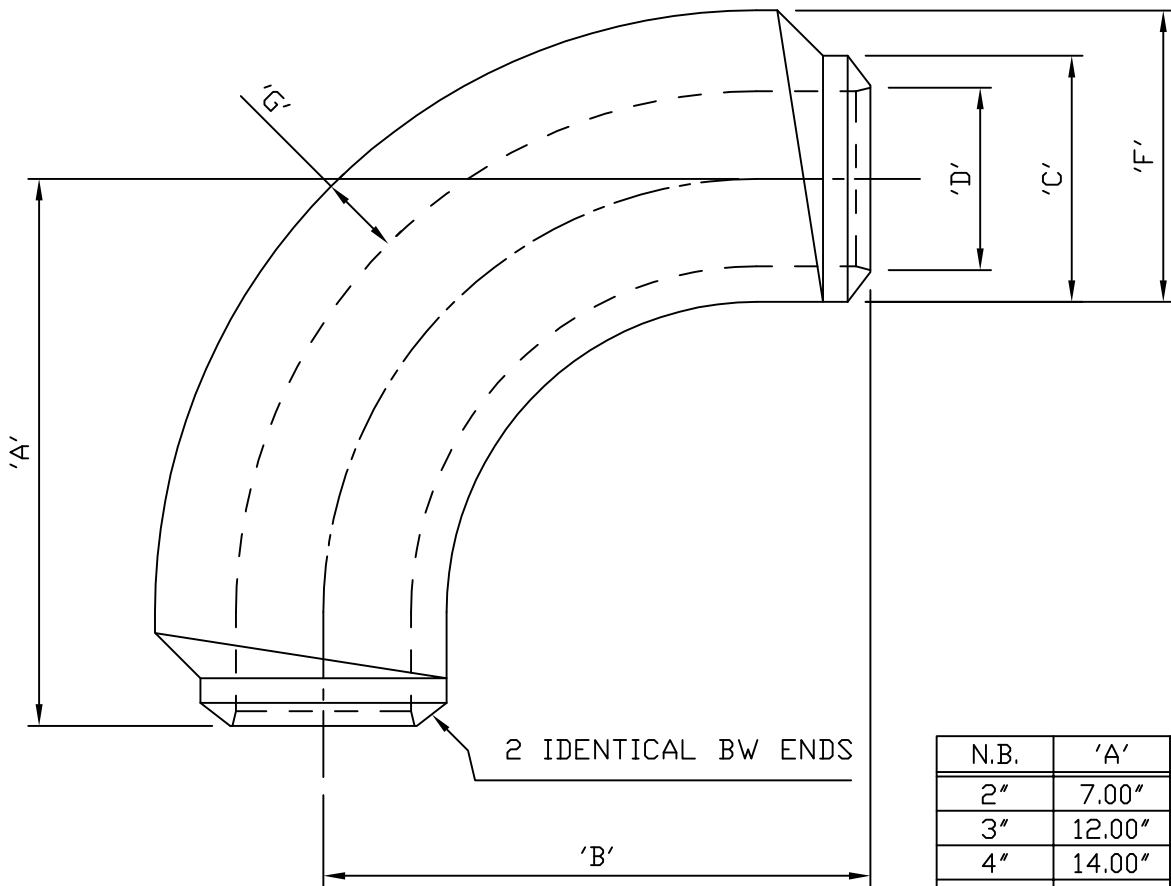
CLIENT: N/A

ALL DIMENSIONS ARE IN mm UNLESS OTHERWISE STATED.
 This drawing and the information contained herein are submitted confidentially and are the property of TECHDRILL Ltd.
 Use, reproduction or disclosure of the content of this drawing or any portion thereof for any purpose must be approved in writing by TECHDRILL Ltd.

PROJECT: N/A

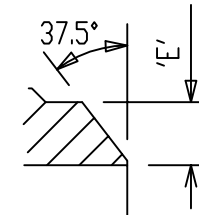
TechDrill LTD.
 UNIT 15,
 TELFORD COURT,
 LOANSDEAN,
 MORPETH,
 NORTHUMBERLAND,
 ENGLAND, NE61 2DB.
 TEL:- +44 (0) 1670 50 50 22
 FAX:- +44 (0) 1670 50 50 29

TechDrill
 High Pressure Pipeline & API Drilling Equipment



NOTES

SERVICE CLASS: STANDARD / SOUR SERVICE
 C.W.P. 7,500 / 10,000 PSI
 TEST PRESSURE: 11,250 / 15,000 PSI
 MATERIAL: AISI 4130
 WELD ENDS: ANSI B16.25
 BW TOLERANCES: ANSI B16.9
 MAT'L YIELD STRENGTH: 85,000 PSI
 MAT'L TENSILE STRENGTH: 105,000 PSI



N.B.	'A'	'B'	'C'	'D'	'E'	'F'	'G'	WEIGHT
2"	7.00"	7.00"	2.37"	1.50"	0.435"	3.50"	0.872"	11 Kg
3"	12.00"	12.00"	3.50"	2.30"	0.600"	4.50"	1.200"	30 Kg
4"	14.00"	14.00"	4.50"	3.15"	0.675"	5.50"	1.348"	47 Kg
5"	17.00"	17.00"	5.56"	4.06"	0.750"	6.60"	1.500"	75 Kg
6"	21.00"	21.00"	6.63"	4.90"	0.865"	8.25"	1.728"	153 Kg

REV	DESCRIPTION	DRN	CKD	APP	DATE	DRAWING SIZE	TITLE
A	ISSUED FOR INFORMATION	CAM	CO	PMc	19-03-04	A4 PROJECTION 3RD 	DOUBLE BACK 90° ELBOW BW SCH XXS
							DATE: 19-03-04
							DRAWN BY: C.A.M.
							CHECK BY: C.O.
							APPRO. BY: P.M.
							SCALE: NTS
							JOB No. STD DRAWING: STD-0117
							SHT 1 OF 1
							DRAWING No. STD-0117
							REVISION: A

CLIENT REF: N/A

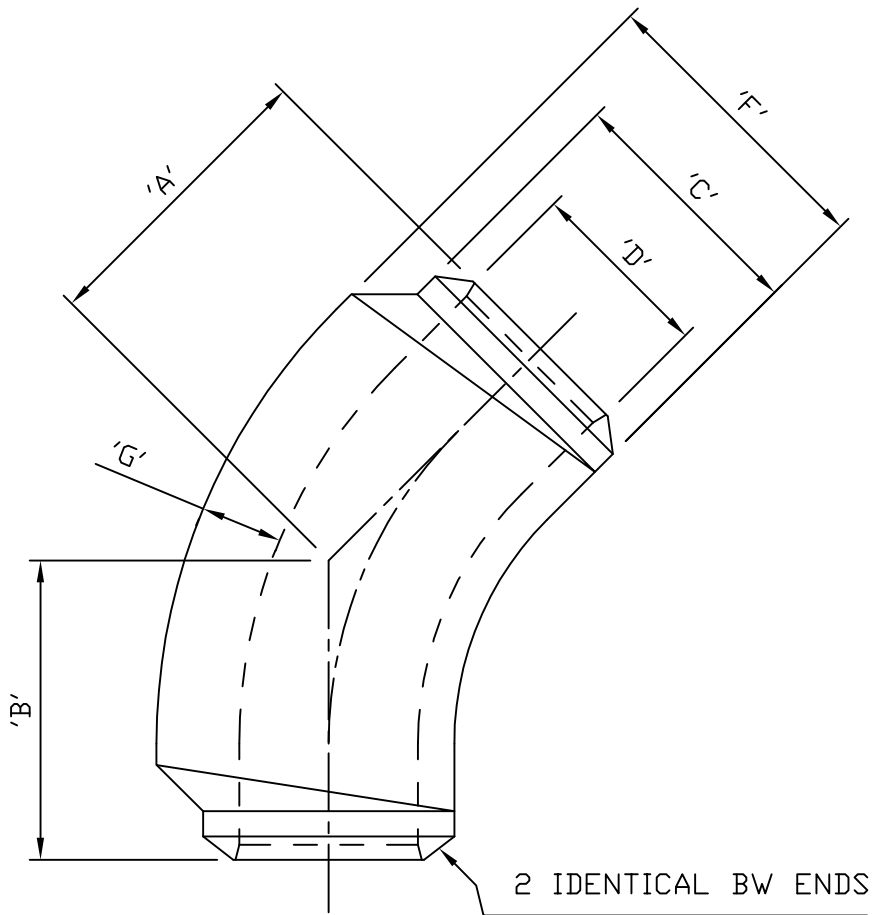
ALL DIMENSIONS ARE IN mm UNLESS OTHERWISE STATED.
 This drawing and the information contained herein are submitted confidentially and are the property of TECHDRILL Ltd.
 Use, reproduction or disclosure of the content of this drawing or any portion thereof for any purpose must be approved in writing by TECHDRILL Ltd.

CLIENT: N/A

PROJECT: N/A

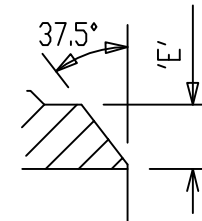
TechDrill LTD.
 UNIT 15,
 TELFORD COURT,
 LOANSDEAN,
 MORPETH,
 NORTHUMBERLAND,
 ENGLAND, NE61 2DB.
 TEL:- +44 (0) 1670 50 50 22
 FAX:- +44 (0) 1670 50 50 29

TechDrill
 High Pressure Pipeline & API Drilling Equipment



NOTES

SERVICE CLASS: STANDARD / SOUR SERVICE
 C.W.P. 7,500 / 10,000 PSI
 TEST PRESSURE: 11,250 / 15,000 PSI
 MATERIAL: AISI 4130
 WELD ENDS: ANSI B16.25
 BW TOLERANCES: ANSI B16.9
 MAT'L YIELD STRENGTH: 85,000 PSI
 MAT'L TENSILE STRENGTH: 105,000 PSI



N.B.	'A'	'B'	'C'	'D'	'E'	'F'	'G'	WEIGHT
2"	4.76"	4.76"	2.37"	1.50"	0.435"	3.50"	0.872"	10 Kg
3"	6.73"	6.73"	3.50"	2.30"	0.600"	4.33"	1.200"	20 Kg
4"	6.97"	6.97"	4.50"	3.15"	0.675"	5.50"	1.348"	28 Kg
5"	8.22"	8.22"	5.56"	4.06"	0.750"	6.60"	1.500"	45 Kg
6"	10.43"	10.43"	6.63"	4.90"	0.865"	8.25"	1.728"	94 Kg

REV	DESCRIPTION	DRN	CKD	APP	DATE	DRAWING SIZE	TITLE
A	ISSUED FOR INFORMATION	CAM	CO	PMc	19-03-04	A4	DOUBLE BACK 45° ELBOW BW SCH XXS
						PROJECTION 3RD	DATE DRAWN BY CHECK BY APPRO. BY SCALE JOB No. STD DRAWING SHT 1 OF 1
							19-03-04 C.A.M. C.O. P.M. NTS DRAWING No. STD-0118 REVISION A

CLIENT REF: N/A

CLIENT: N/A

ALL DIMENSIONS ARE IN mm UNLESS OTHERWISE STATED.
 This drawing and the information contained herein are submitted confidentially and are the property of TECHDRILL Ltd.
 Use, reproduction or disclosure of the content of this drawing or any portion thereof for any purpose must be approved in writing by TECHDRILL Ltd.

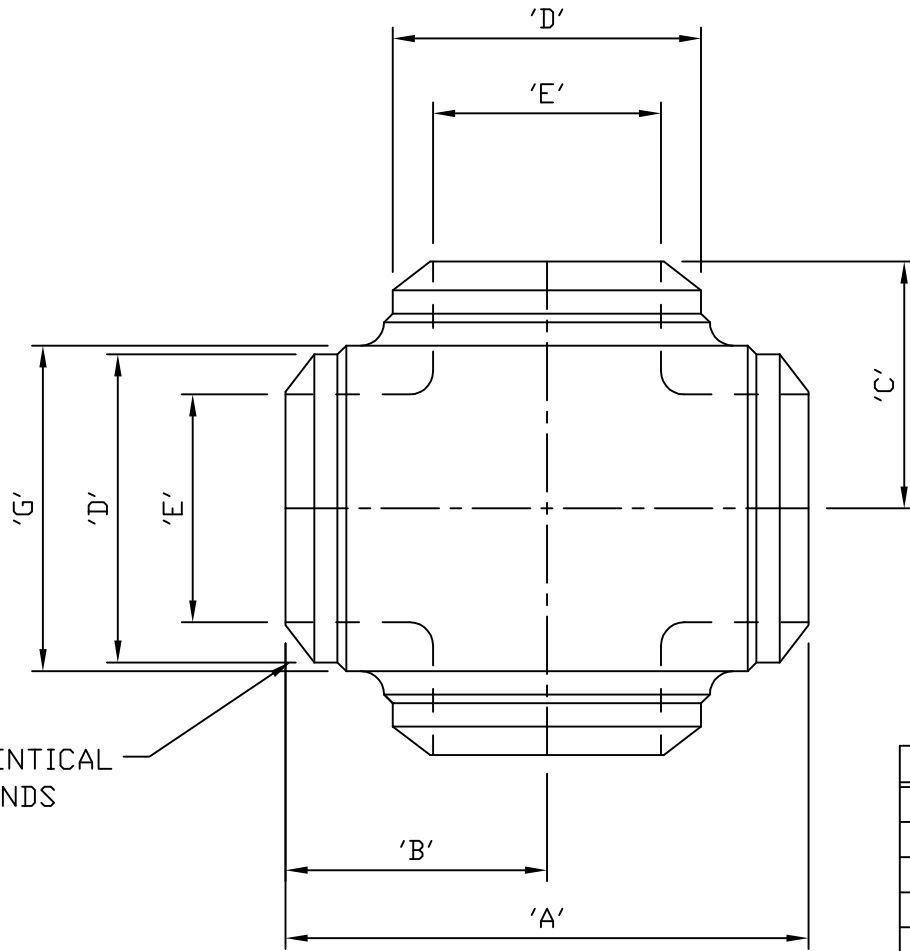
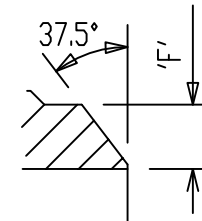
PROJECT: N/A

TechDrill LTD.
 UNIT 15,
 TELFORD COURT,
 LOANSDEAN,
 MORPETH,
 NORTHUMBERLAND,
 ENGLAND, NE61 2DB.
 TEL:- +44 (0) 1670 50 50 22
 FAX:- +44 (0) 1670 50 50 29

TechDrill
 High Pressure Pipeline & API Drilling Equipment

NOTES

SERVICE CLASS: STANDARD / SOUR SERVICE
 C.W.P. 7,500 / 10,000 PSI
 TEST PRESSURE: 11,250 / 15,000 PSI
 MATERIAL: AISI 4130
 WELD ENDS: ANSI B16.25
 BW TOLERANCES: ANSI B16.9
 MAT'L YIELD STRENGTH: 85,000 PSI
 MAT'L TENSILE STRENGTH: 105,000 PSI



N.B.	'A'	'B'	'C'	'D'	'E'	'F'	'G'	WEIGHT
2"	5.04"	2.52"	2.52"	2.37"	1.50"	0.435"	2.620"	5 Kg
3"	6.78"	3.39"	3.39"	3.50"	2.30"	0.600"	3.750"	10 Kg
4"	8.24"	4.12"	4.12"	4.50"	3.15"	0.675"	4.875"	17 Kg
5"	9.76"	4.88"	4.88"	5.56"	4.06"	0.750"	5.935"	28 Kg
6"	11.26"	5.63"	5.63"	6.63"	4.90"	0.865"	7.130"	43 Kg

REV	DESCRIPTION	DRN	CKD	APP	DATE	DRAWING SIZE	TITLE							
A	ISSUED FOR INFORMATION	CAM	CO	PMc	19-03-04	A4	BLOCK TYPE CROSS BW SCH XXS							
						PROJECTION 3RD	DATE	DRAWN BY	CHECK BY	APPRO. BY	SCALE	JOB No.	STD DRAWING	SHT 1 OF 1
							19-03-04	C.A.M.	C.O.	P.M.	NTS	DRAWING No.	STD-0119	REVISION
														A

CLIENT REF: N/A

CLIENT: N/A

PROJECT: N/A

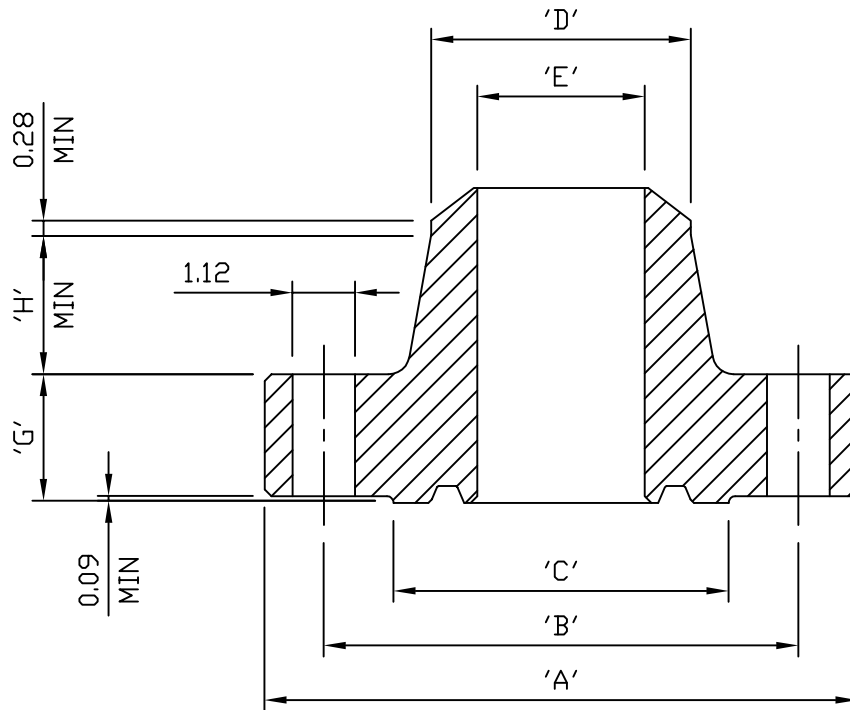
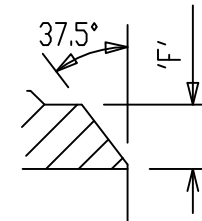
ALL DIMENSIONS ARE IN mm UNLESS OTHERWISE STATED.
 This drawing and the information contained herein are submitted confidentially and are the property of TECHDRILL Ltd.
 Use, reproduction or disclosure of the content of this drawing or any portion thereof for any purpose must be approved in writing by TECHDRILL Ltd.

TechDrill LTD.
 UNIT 15,
 TELFORD COURT,
 LOANSDEAN,
 MORPETH,
 NORTHUMBERLAND,
 ENGLAND, NE61 2DB.
 TEL:- +44 (0) 1670 50 50 22
 FAX:- +44 (0) 1670 50 50 29

TechDrill
 High Pressure Pipeline & API Drilling Equipment

NOTES

SERVICE CLASS: STANDARD / SOUR SERVICE
 C.W.P. 7,500 / 10,000 PSI
 TEST PRESSURE: 11,250 / 15,000 PSI
 MATERIAL: AISI 4130
 WELD ENDS: ANSI B16.25
 BW TOLERANCES: ANSI B16.9
 MAT'L YIELD STRENGTH: 85,000 PSI
 MAT'L TENSILE STRENGTH: 105,000 PSI



N.B.	'A'	'B'	'C'	'D'	'E'	'F'	'G'	'H'	WEIGHT
1-13/16"	7.38"	5.75"	4.12"	2.37"	1.50"	0.435"	1.66"	1.91"	9 Kg
2-1/16"	7.88"	6.25"	4.38"	3.50"	2.30"	0.600"	1.73"	2.03"	11 Kg
2-9/16"	9.12"	7.25"	5.19"	3.50"	2.30"	0.600"	2.02"	2.25"	18 Kg
3-1/16"	10.62"	8.50"	6.00"	4.50"	3.15"	0.675"	2.30"	2.50"	28 Kg
4-1/16"	12.44"	10.19"	7.28"	5.56"	4.06"	0.750"	2.77"	2.88"	45 Kg
5-1/8"	14.06"	11.81"	8.69"	6.63"	4.90"	0.865"	3.13"	3.19"	85 Kg

REV	DESCRIPTION	DRN	CKD	APP	DATE	DRAWING SIZE	TITLE							
A	ISSUED FOR INFORMATION	CAM	CO	PMc	19-03-04	A4	API 6A 10K RTJ WELD NECK FLANGE BW SCH XXS							
						PROJECTION 3RD	DATE	DRAWN BY	CHECK BY	APPRO. BY	SCALE	JOB No.	STD DRAWING	SHT 1 OF 1
							09-03-04	C.A.M.	C.O.	P.M.	NTS	DRAWING No.	STD-0120	REVISION
														A

CLIENT REF: N/A

CLIENT: N/A

PROJECT: N/A

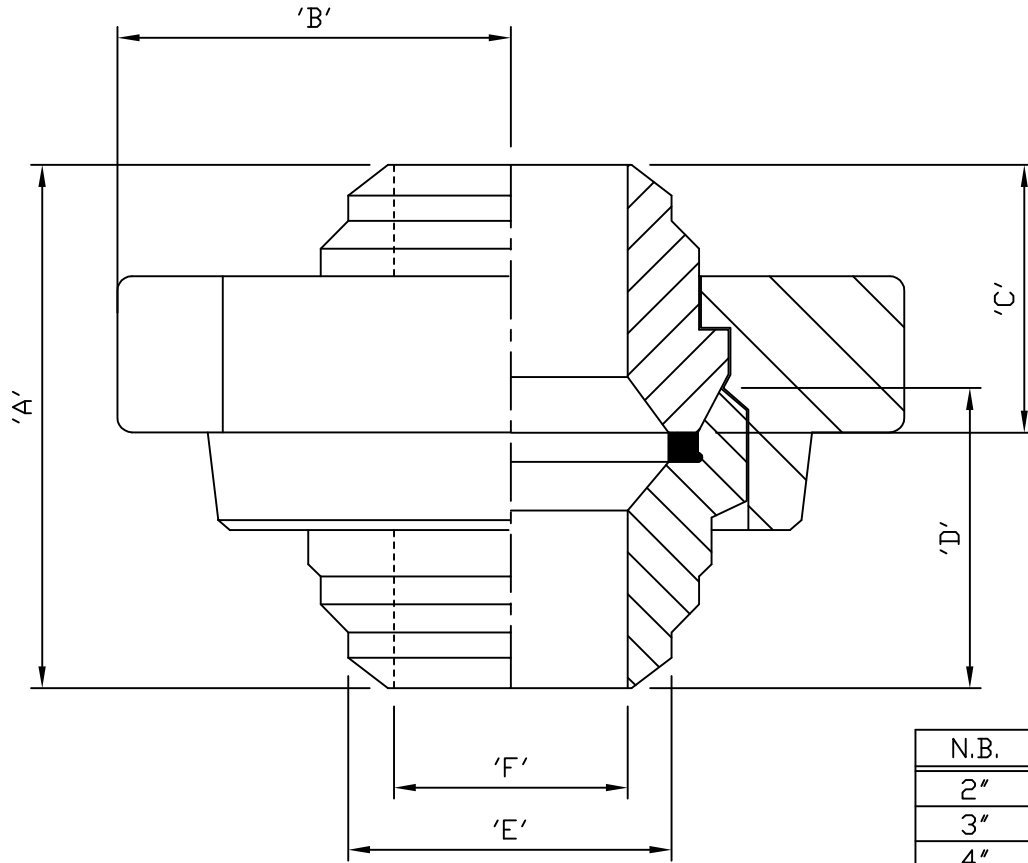
TechDrill LTD.
 UNIT 15,
 TELFORD COURT,
 LOANSDEAN,
 MORPETH,
 NORTHUMBERLAND,
 ENGLAND, NE61 2DB.
 TEL:- +44 (0) 1670 50 50 22
 FAX:- +44 (0) 1670 50 50 29

TechDrill
 High Pressure Pipeline & API Drilling Equipment

ALL DIMENSIONS ARE IN mm UNLESS OTHERWISE STATED.
 This drawing and the information contained herein are submitted confidentially and are the property of TECHDRILL Ltd.
 Use, reproduction or disclosure of the content of this drawing or any portion thereof for any purpose must be approved in writing by TECHDRILL Ltd.

NOTES

SERVICE CLASS: STANDARD / SOUR SERVICE
 C.W.P. 15,000 / 10,000 PSI
 TEST PRESSURE: 22,500 / 15,000 PSI
 MATERIAL: AISI 4130
 WELD ENDS: ANSI B16.25
 BW TOLERANCES: ANSI B16.9



N.B.	'A'	'B'	'C'	'D'	'E'	'F'	'G'	WEIGHT
2"	6.17"	3.75"	3.25"	3.25"	2.37"	1.50"	0.435"	10 Kg
3"	5.25"	4.57"	2.81"	2.81"	3.50"	2.30"	0.600"	13 Kg
4"	8.50"	6.00"	4.50"	4.50"	4.50"	3.15"	0.675"	34 Kg
5"	9.00"	6.50"	5.00"	4.50"	5.56"	4.06"	0.750"	43 Kg
6"	9.75"	7.25"	5.50"	4.75"	6.63"	4.90"	0.865"	66 Kg

REV	DESCRIPTION	DRN	CKD	APP	DATE	DRAWING SIZE	TITLE
A	ISSUED FOR INFORMATION	CAM	CO	PMc	19-03-04	A4	FIG 1502 COMPLETE HAMMER UNION BW SCH XXS
						PROJECTION 3RD	DATE DRAWN BY CHECK BY APPRO. BY SCALE JOB No. STD DRAWING SHT 1 OF 1
							19-03-04 C.A.M. C.O. P.M. NTS DRAWING No. REVISION
							STD-0121 A

CLIENT REF: N/A

CLIENT: N/A

ALL DIMENSIONS ARE IN mm UNLESS OTHERWISE STATED.
 This drawing and the information contained herein are submitted confidentially and are the property of TECHDRILL Ltd.
 Use, reproduction or disclosure of the content of this drawing or any portion thereof for any purpose must be approved in writing by TECHDRILL Ltd.

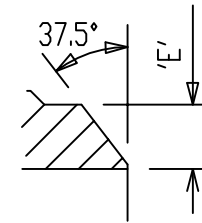
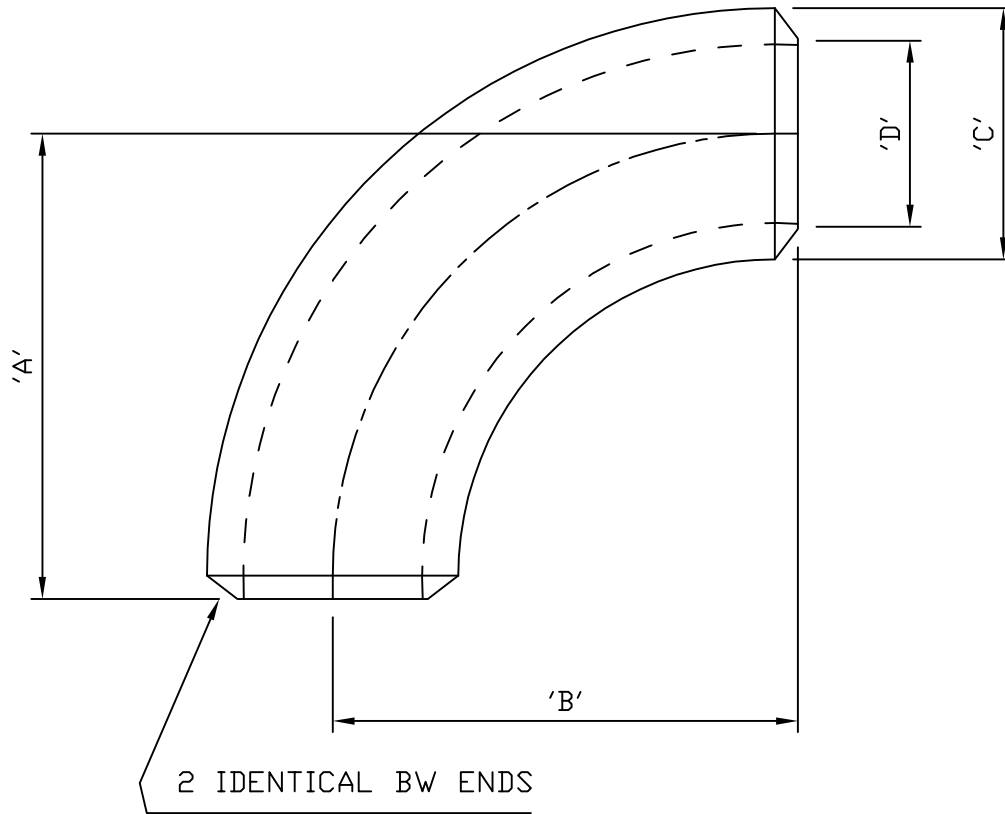
PROJECT: N/A

TechDrill LTD.
 UNIT 15,
 TELFORD COURT,
 LOANSDEAN,
 MORPETH,
 NORTHUMBERLAND,
 ENGLAND, NE61 2DB.
 TEL:- +44 (0) 1670 50 50 22
 FAX:- +44 (0) 1670 50 50 29

TechDrill
 High Pressure Pipeline & API Drilling Equipment

NOTES

SERVICE CLASS: STANDARD / SOUR SERVICE
 C.W.P. 7,500 / 10,000 PSI
 TEST PRESSURE: 11,250 / 15,000 PSI
 MATERIAL: AISI 4130
 WELD ENDS: ANSI B16.25
 BW TOLERANCES: ANSI B16.9
 MAT'L YIELD STRENGTH: 85,000 PSI
 MAT'L TENSILE STRENGTH: 105,000 PSI



N.B.	'A'	'B'	'C'	'D'	'E'	WEIGHT
2"	3.00"	3.00"	2.37"	1.50"	0.435"	2 Kg
3"	4.50"	4.50"	3.50"	2.30"	0.600"	5 Kg
4"	6.00"	6.00"	4.50"	3.15"	0.675"	10 Kg
5"	7.50"	7.50"	5.56"	4.06"	0.750"	18 Kg
6"	9.00"	9.00"	6.63"	4.90"	0.865"	30 Kg

REV	DESCRIPTION	DRN	CKD	APP	DATE	DRAWING SIZE	TITLE							
A	ISSUED FOR INFORMATION	CAM	CO	PMc	19-03-04	A4	LONG RADIUS 90° ELBOW BW SCH XXS							
						PROJECTION 3RD	DATE	DRAWN BY	CHECK BY	APPRO. BY	SCALE	JOB No.	STD DRAWING	SHT 1 OF 1
							19-03-04	C.A.M.	C.O.	P.M.	NTS	DRAWING No.	STD-0122	REVISION
														A

CLIENT REF: N/A

CLIENT: N/A

ALL DIMENSIONS ARE IN mm UNLESS OTHERWISE STATED.

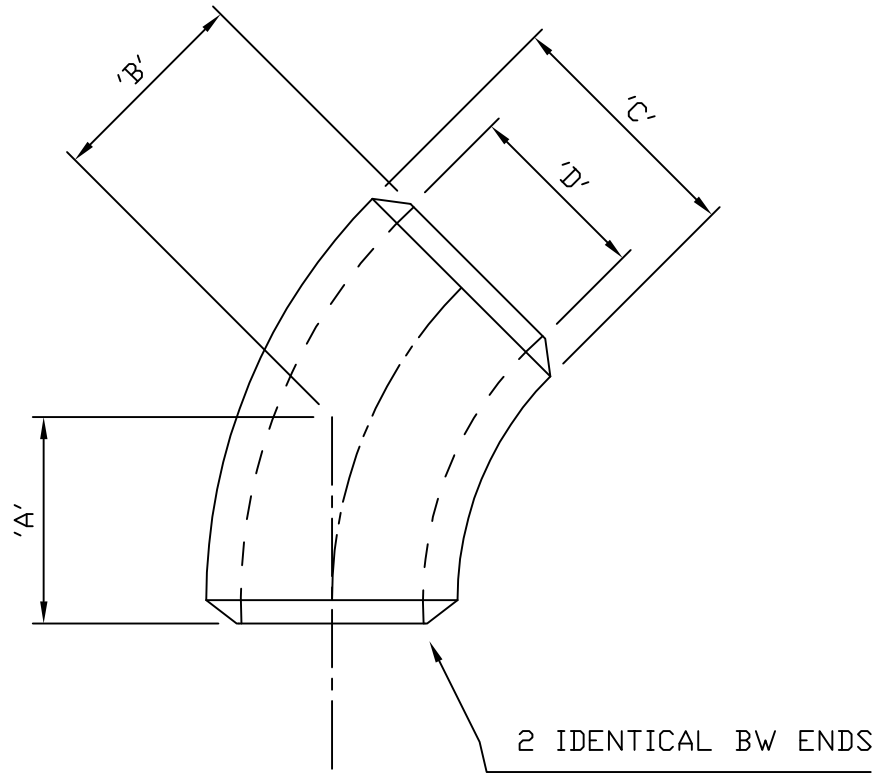
This drawing and the information contained herein are submitted confidentially and are the property of TECHDRILL Ltd. Use, reproduction or disclosure of the content of this drawing or any portion thereof for any purpose must be approved in writing by TECHDRILL Ltd.

PROJECT: N/A

PROJECT: N/A

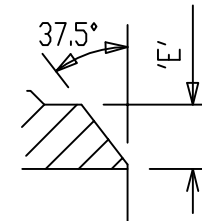
TechDrill LTD.
 UNIT 15,
 TELFORD COURT,
 LOANSDEAN,
 MORPETH,
 NORTHUMBERLAND,
 ENGLAND, NE61 2DB.
 TEL:- +44 (0) 1670 50 50 22
 FAX:- +44 (0) 1670 50 50 29

TechDrill
 High Pressure Pipeline & API Drilling Equipment



NOTES

SERVICE CLASS: STANDARD / SOUR SERVICE
 C.W.P. 7,500 / 10,000 PSI
 TEST PRESSURE: 11,250 / 15,000 PSI
 MATERIAL: AISI 4130
 WELD ENDS: ANSI B16.25
 BW TOLERANCES: ANSI B16.9
 MAT'L YIELD STRENGTH: 85,000 PSI
 MAT'L TENSILE STRENGTH: 105,000 PSI



N.B.	'A'	'B'	'C'	'D'	'E'	WEIGHT
2"	1.38"	1.38"	2.37"	1.50"	0.435"	1 Kg
3"	2.00"	2.00"	3.50"	2.30"	0.600"	3 Kg
4"	2.50"	2.50"	4.50"	3.15"	0.675"	5 Kg
5"	3.10"	3.10"	5.56"	4.06"	0.750"	9 Kg
6"	3.75"	3.75"	6.63"	4.90"	0.865"	15 Kg

REV	DESCRIPTION	DRN	CKD	APP	DATE	DRAWING SIZE	TITLE							
A	ISSUED FOR INFORMATION	CAM	CO	PMc	19-03-04	A4	LONG RADIUS 45° ELBOW BW SCH XXS							
						PROJECTION 3RD	DATE	DRAWN BY	CHECK BY	APPRO. BY	SCALE	JOB No.	STD DRAWING	SHT 1 OF 1
							19-03-04	C.A.M.	C.O.	P.M.	NTS	DRAWING No.	STD-0123	REVISION
														A

CLIENT REF: N/A

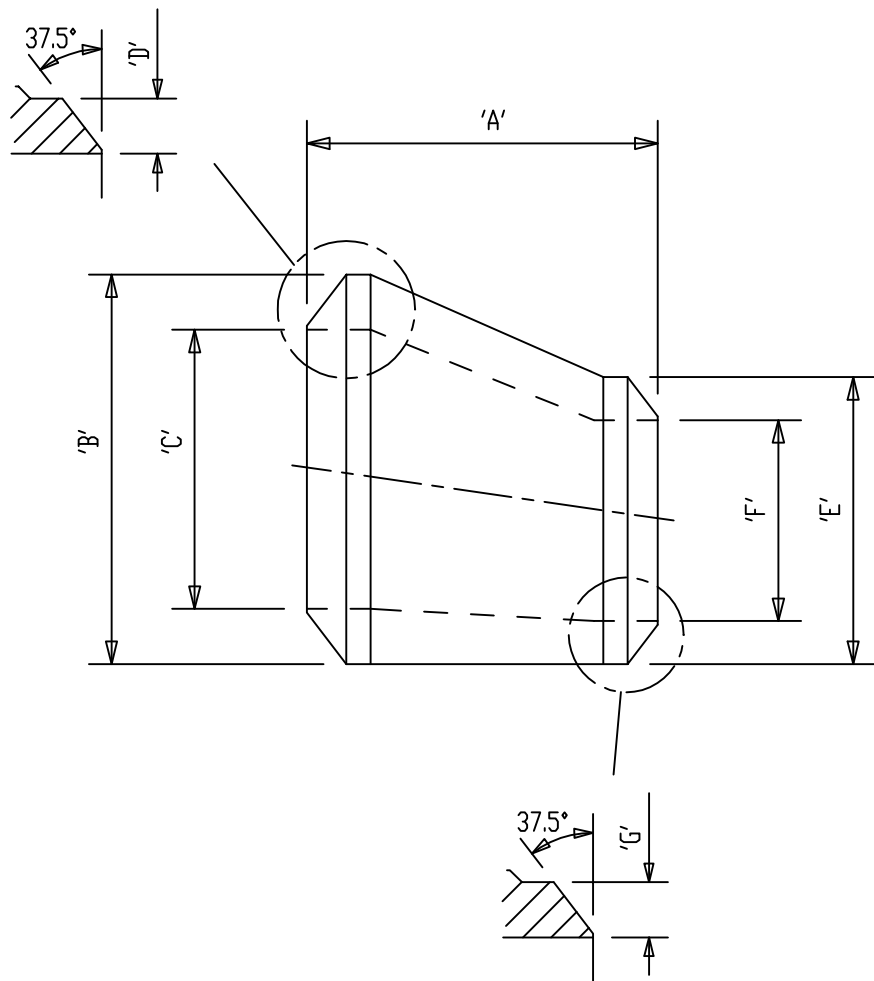
CLIENT: N/A

ALL DIMENSIONS ARE IN mm UNLESS OTHERWISE STATED.
 This drawing and the information contained herein are submitted confidentially and are the property of TECHDRILL Ltd.
 Use, reproduction or disclosure of the content of this drawing or any portion thereof for any purpose must be approved in writing by TECHDRILL Ltd.

PROJECT: N/A

TechDrill LTD.
 UNIT 15,
 TELFORD COURT,
 LOANSDEAN,
 MORPETH,
 NORTHUMBERLAND,
 ENGLAND, NE61 2DB.
 TEL:- +44 (0) 1670 50 50 22
 FAX:- +44 (0) 1670 50 50 29

TechDrill
 High Pressure Pipeline & API Drilling Equipment



NOTES

SERVICE CLASS: STANDARD / SOUR SERVICE
 C.W.P. 7,500 / 10,000 PSI
 TEST PRESSURE: 11,250 / 15,000 PSI
 MATERIAL: AISI 4130
 WELD ENDS: ANSI B16.25
 BW TOLERANCES: ANSI B16.9
 MAT'L YIELD STRENGTH: 85,000 PSI
 MAT'L TENSILE STRENGTH: 105,000 PSI

N.B.	'A'	'B'	'C'	'D'	'E'	'F'	'G'	WEIGHT
6" x 5"	5.50"	6.63"	4.90"	0.865"	5.56"	4.06"	0.750"	11 Kg
6" x 4"	5.50"	6.63"	4.90"	0.865"	4.50"	3.15"	0.675"	11 Kg
6" x 3"	5.50"	6.63"	4.90"	0.865"	3.50"	2.30"	0.600"	11 Kg
5" x 4"	5.00"	5.56"	4.06"	0.750"	4.50"	3.15"	0.675"	7.5 Kg
5" x 3"	5.00"	5.56"	4.06"	0.750"	3.50"	2.30"	0.600"	7.5 Kg
5" x 2"	5.00"	5.56"	4.06"	0.750"	2.37"	1.50"	0.435"	7.5 Kg
4" x 3"	4.00"	4.50"	3.15"	0.675"	3.50"	2.30"	0.600"	4.5 Kg
4" x 2"	4.00"	4.50"	3.15"	0.675"	2.37"	1.50"	0.435"	4.5 Kg
3" x 2"	3.50"	3.50"	2.30"	0.600"	2.37"	1.50"	0.435"	2.5 Kg

REV	DESCRIPTION	DRN	CKD	APP	DATE	DRAWING SIZE	TITLE							
A	ISSUED FOR INFORMATION	CAM	CO	PMc	19-03-04	A4	ECCENTRIC REDUCER BW SCH XXS							
						PROJECTION 3RD	DATE	DRAWN BY	CHECK BY	APPRO. BY	SCALE	JOB No.	STD DRAWING	SHT 1 OF 1
							19-03-04	C.A.M.	C.O.	P.M.	NTS	DRAWING No.	STD-0124	REVISION
														A

CLIENT REF: N/A

ALL DIMENSIONS ARE IN mm UNLESS OTHERWISE STATED.
 This drawing and the information contained herein are submitted confidentially and are the property of TECHDRILL Ltd.
 Use, reproduction or disclosure of the content of this drawing or any portion thereof for any purpose must be approved in writing by TECHDRILL Ltd.

CLIENT: N/A

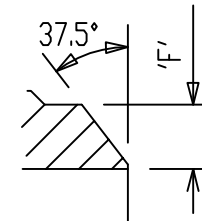
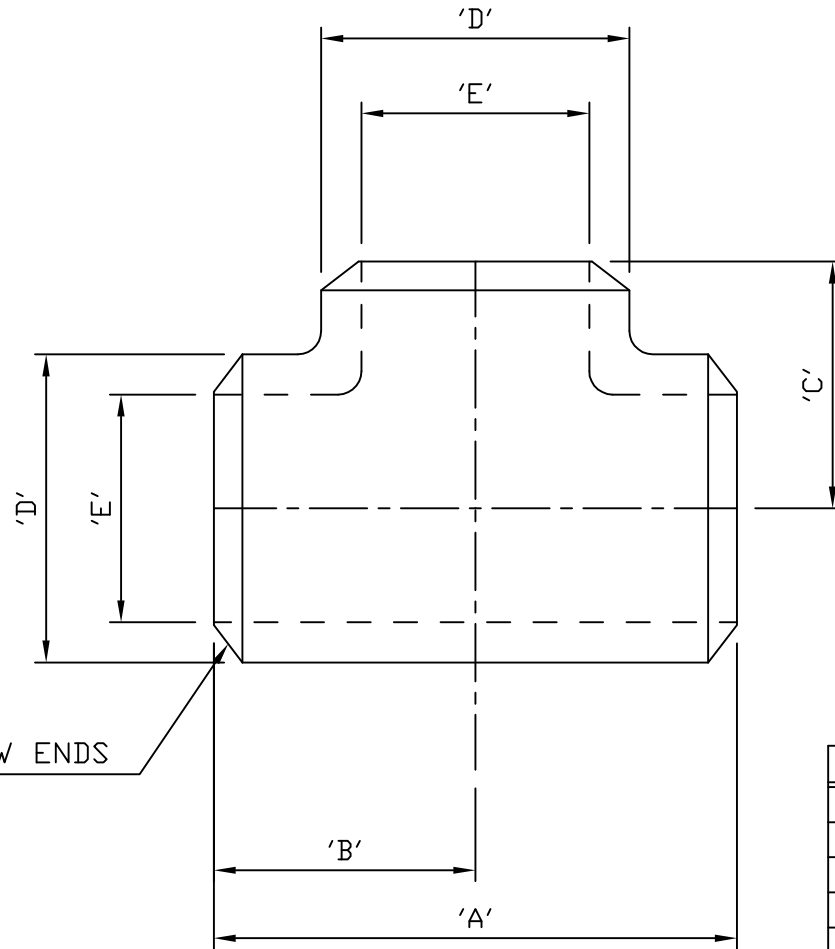
PROJECT: N/A

TechDrill LTD.
 UNIT 15,
 TELFORD COURT,
 LOANSDEAN,
 MORPETH,
 NORTHUMBERLAND,
 ENGLAND, NE61 2DB.
 TEL:- +44 (0) 1670 50 50 22
 FAX:- +44 (0) 1670 50 50 29

TechDrill
 High Pressure Pipeline & API Drilling Equipment

NOTES

SERVICE CLASS: STANDARD / SOUR SERVICE
 C.W.P. 7,500 / 10,000 PSI
 TEST PRESSURE: 11,250 / 15,000 PSI
 MATERIAL: AISI 4130
 WELD ENDS: ANSI B16.25
 BW TOLERANCES: ANSI B16.9
 MAT'L YIELD STRENGTH: 85,000 PSI
 MAT'L TENSILE STRENGTH: 105,000 PSI



3 IDENTICAL BW ENDS

N.B.	'A'	'B'	'C'	'D'	'E'	'F'	WEIGHT
2"	5.04"	2.52"	2.52"	2.37"	1.50"	0.435"	3 Kg
3"	6.78"	3.39"	3.39"	3.50"	2.30"	0.600"	8 Kg
4"	8.24"	4.12"	4.12"	4.50"	3.15"	0.675"	17 Kg
5"	9.76"	4.88"	4.88"	5.56"	4.06"	0.750"	25 Kg
6"	11.26"	5.63"	5.63"	6.63"	4.90"	0.865"	39 Kg

REV	DESCRIPTION	DRN	CKD	APP	DATE	DRAWING SIZE	TITLE							
A	ISSUED FOR INFORMATION	CAM	CO	PMc	19-03-04	A4	ANSI B.16.9 EQUAL TEE BW SCH XXS							
						PROJECTION 3RD	DATE	DRAWN BY	CHECK BY	APPRO. BY	SCALE	JOB No.	STD DRAWING	SHT 1 OF 1
							19-03-04	C.A.M.	C.O.	P.M.	NTS	DRAWING No.	STD-0125	REVISION A

CLIENT REF: N/A

CLIENT: N/A

ALL DIMENSIONS ARE IN mm UNLESS OTHERWISE STATED.
 This drawing and the information contained herein are submitted confidentially and are the property of TECHDRILL Ltd.
 Use, reproduction or disclosure of the content of this drawing or any portion thereof for any purpose must be approved in writing by TECHDRILL Ltd.

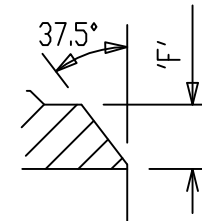
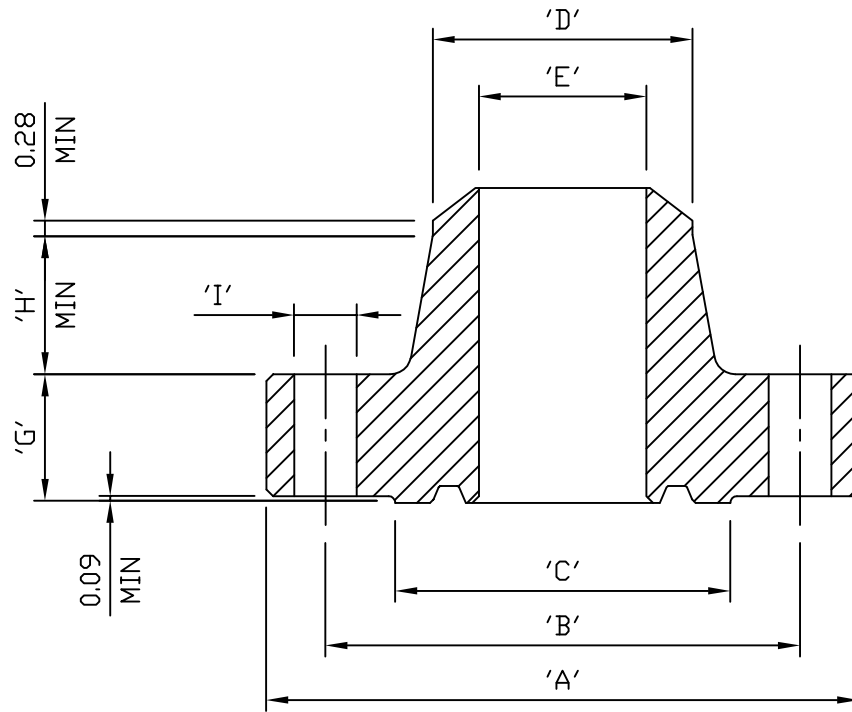
PROJECT: N/A

TechDrill LTD.
 UNIT 15,
 TELFORD COURT,
 LOANSDEAN,
 MORPETH,
 NORTHUMBERLAND,
 ENGLAND, NE61 2DB.
 TEL:- +44 (0) 1670 50 50 22
 FAX:- +44 (0) 1670 50 50 29

TechDrill
 High Pressure Pipeline & API Drilling Equipment

NOTES

SERVICE CLASS: STANDARD / SOUR SERVICE
 C.W.P. 15,000 PSI
 TEST PRESSURE: 22,500 PSI
 MATERIAL: AISI 4130
 WELD ENDS: ANSI B16.25
 BW TOLERANCES: ANSI B16.9
 MAT'L YIELD STRENGTH: 85,000 PSI
 MAT'L TENSILE STRENGTH: 105,000 PSI



N.B.	'A'	'B'	'C'	'D'	'E'	'F'	'G'	'H'	'I'	WEIGHT
1-13/16"	8.19"	6.31"	4.19"	2.37"	1.50"	0.435"	1.78"	1.83"	1.00"	12 Kg
2-1/16"	8.75"	6.88"	4.50"	3.50"	2.30"	0.600"	2.00"	2.12"	1.00"	16 Kg
2-9/16"	10.00"	7.88"	5.25"	3.50"	2.30"	0.600"	2.25"	2.25"	1.12"	22 Kg
3-1/16"	11.31"	9.06"	6.06"	4.50"	3.15"	0.675"	2.53"	2.50"	1.25"	33 Kg
4-1/16"	14.19"	11.44"	7.62"	5.56"	4.06"	0.750"	3.09"	2.88"	1.50"	68 Kg

REV	DESCRIPTION	DRN	CKD	APP	DATE	DRAWING SIZE	TITLE							
A	ISSUED FOR INFORMATION	DA	CAM	CO	05-04-06	A4	API 6A 15K RTJ WELD NECK FLANGE BW SCH XXS							
						PROJECTION 3RD	DATE	DRAWN BY	CHECK BY	APPRO. BY	SCALE	JOB No.	STD DRAWING	SHT 1 OF 1
							05-04-06	DA	CAM	CO	NTS	DRAWING No.	STD-0126	REVISION
														A

CLIENT REF: N/A

ALL DIMENSIONS ARE IN mm UNLESS OTHERWISE STATED.
 This drawing and the information contained herein are submitted confidentially and are the property of TECHDRILL Ltd.
 Use, reproduction or disclosure of the content of this drawing or any portion thereof for any purpose must be approved in writing by TECHDRILL Ltd.

CLIENT: N/A

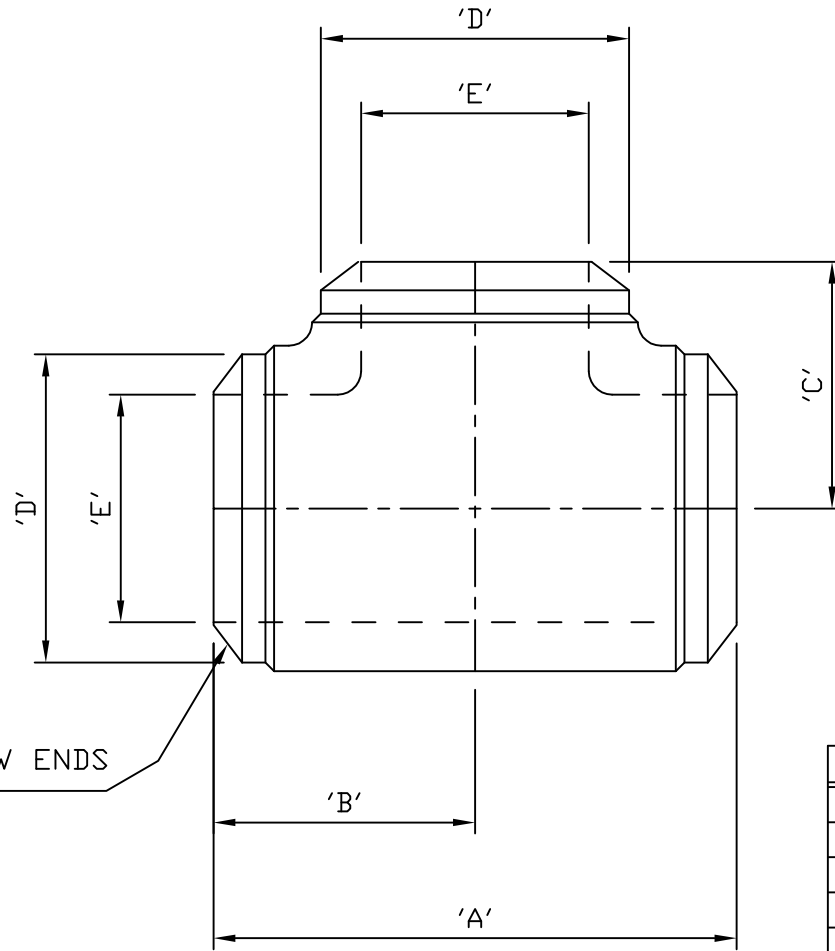
PROJECT: N/A

TechDrill LTD.
 UNIT 15,
 TELFORD COURT,
 LOANSDEAN,
 MORPETH,
 NORTHUMBERLAND,
 ENGLAND, NE61 2DB.
 TEL:- +44 (0) 1670 50 50 22
 FAX:- +44 (0) 1670 50 50 29

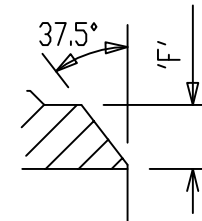
TechDrill
 High Pressure Pipeline & API Drilling Equipment

NOTES

SERVICE CLASS: STANDARD / SOUR SERVICE
 C.W.P. 7,500 / 10,000 PSI
 TEST PRESSURE: 11,250 / 15,000 PSI
 MATERIAL: AISI 4130
 WELD ENDS: ANSI B16.25
 BW TOLERANCES: ANSI B16.9
 MAT'L YIELD STRENGTH: 85,000 PSI
 MAT'L TENSILE STRENGTH: 105,000 PSI



3 IDENTICAL BW ENDS



N.B.	'A'	'B'	'C'	'D'	'E'	'F'	WEIGHT
2"	5.04"	2.52"	2.52"	2.37"	1.50"	0.435"	4 Kg
3"	6.78"	3.39"	3.39"	3.50"	2.30"	0.600"	9 Kg
4"	8.24"	4.12"	4.12"	4.50"	3.15"	0.675"	16 Kg
5"	9.76"	4.88"	4.88"	5.56"	4.06"	0.750"	25 Kg
6"	11.26"	5.63"	5.63"	6.63"	4.90"	0.865"	38 Kg

REV	DESCRIPTION	DRN	CKD	APP	DATE	DRAWING SIZE	TITLE							
A	ISSUED FOR INFORMATION	CAM	CO	PMc	19-03-04	A4	BLOCK TYPE EQUAL TEE							
						PROJECTION 3RD	BW SCH XXS							
							DATE	DRAWN BY	CHECK BY	APPRO. BY	SCALE	JOB No.	STD DRAWING	SHT 1 OF 1
							19-03-04	C.A.M.	C.O.	P.M.	NTS	DRAWING No.	STD-0127	REVISION
														A

CLIENT REF: N/A

CLIENT: N/A

ALL DIMENSIONS ARE IN mm UNLESS OTHERWISE STATED.
 This drawing and the information contained herein are submitted confidentially and are the property of TECHDRILL Ltd.
 Use, reproduction or disclosure of the content of this drawing or any portion thereof for any purpose must be approved in writing by TECHDRILL Ltd.

PROJECT: N/A

TechDrill LTD.
 UNIT 15,
 TELFORD COURT,
 LOANSDEAN,
 MORPETH,
 NORTHUMBERLAND,
 ENGLAND, NE61 2DB.
 TEL:- +44 (0) 1670 50 50 22
 FAX:- +44 (0) 1670 50 50 29

TechDrill
 High Pressure Pipeline & API Drilling Equipment